



SINCE 1963

**MODULAR
CONVEYOR SYSTEM
PRODUCT CATALOGUE
STAINLESS STEEL**

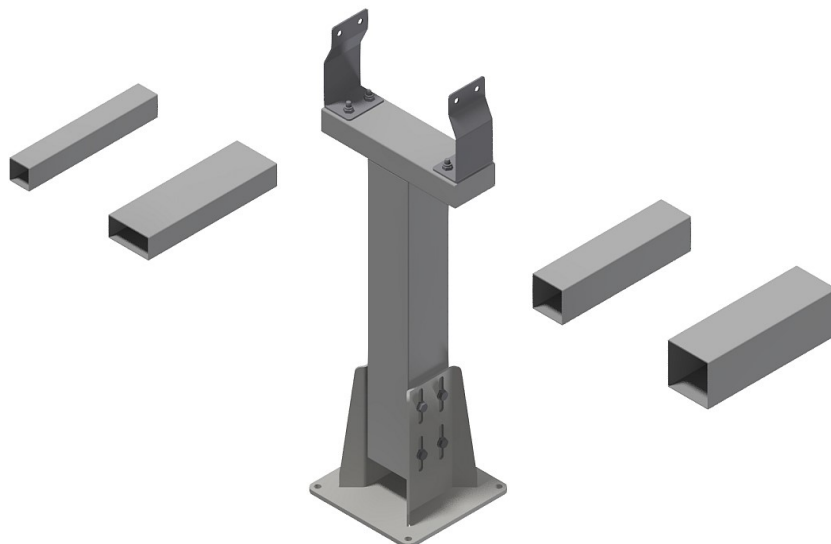
Contents

S5100	Profiles and fasteners	p. 3-14
S5200	Bearings	p. 15-16
S5300	Guide rail and guide rail brackets	p. 17-24
S5400	Slide rails	p. 25-26
S520	Conveyor system	p. 27-50
S530	Conveyor system	p. 51-78
S540	Conveyor system	p. 79-100
S560	Conveyor system	p. 101-119
S5900	Drive and idler parts	p. 120-138
S1000	Mounting tools	p. 139-140

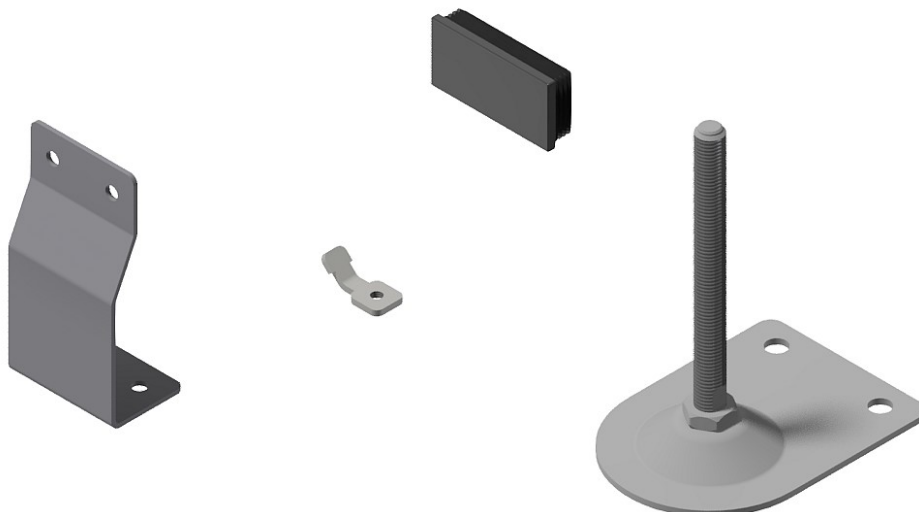
Components manufactured by Carryline consist of stainless steel 1.4301, 14305 and 1.4307.
Material specification on individual article on request.

Edition 2022

Change without notice



S5100



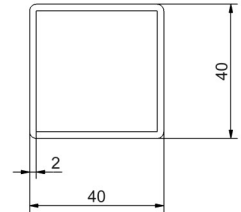
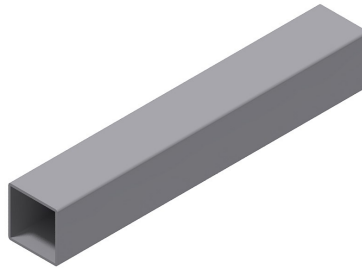
Series 5100

Square tube

Polished stainless steel square tube

Weight 2430 g/m

Length 6 m



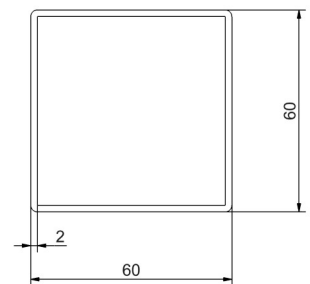
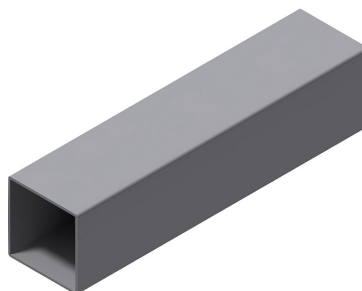
Part.no 500-1010

Square tube

Polished stainless steel square tube

Weight 3720 g/m

Length 6 m



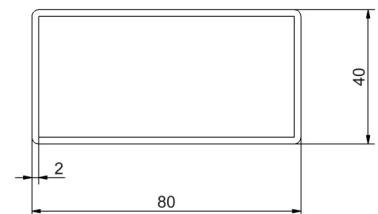
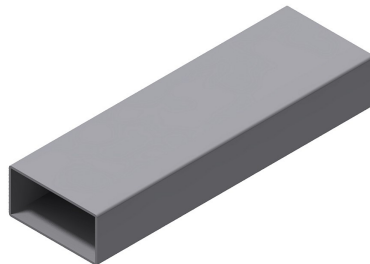
Part.no 500-1015

Square tube

Polished stainless steel square tube

Weight 3720 g/m

Length 6 m



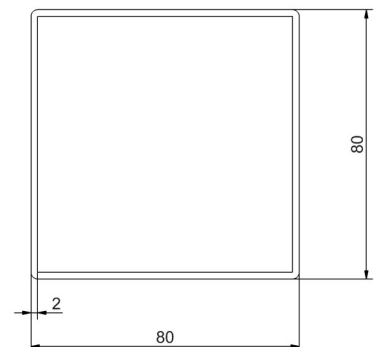
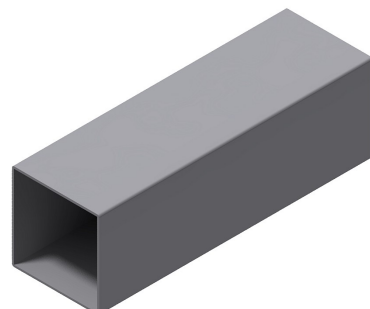
Part.no 500-1020

Square tube

Polished stainless steel square tube

Weight 5020 g/m

Length 6 m



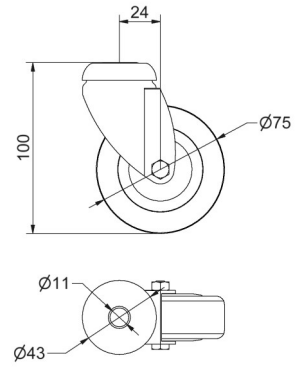
Part.no 500-1030

Series 5100

Industrial castor

Ball bearing, pivotable device castor.
Fork in stainless steel.
Wheels in polypropylene and rubber
Weight 250 g

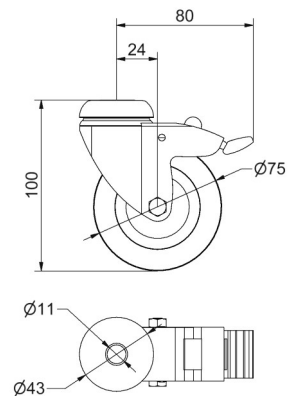
Part.no 500-1127



Industrial castor

With brake, ball bearing, pivotable device castor.
Fork in stainless steel.
Wheels in polypropylene and rubber.
Weight 300 g

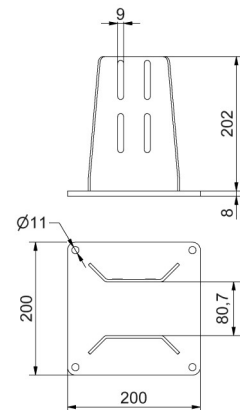
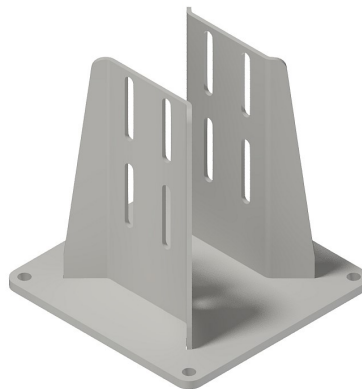
Part.no 500-1126



Foot

For profile 500-1030
Stainless steel
Weight 4170 g

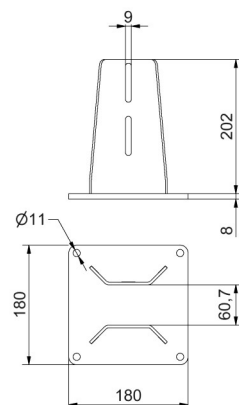
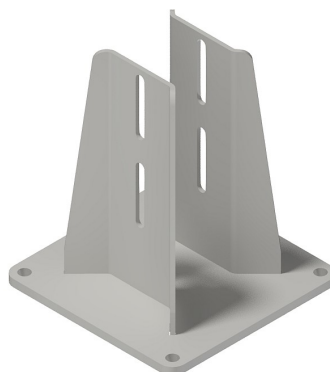
Part.no 500-1131



Foot

For profile 500-1015
Stainless steel
Weight 3480 g

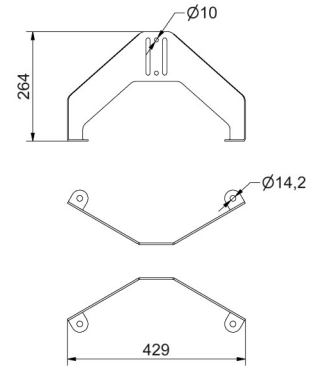
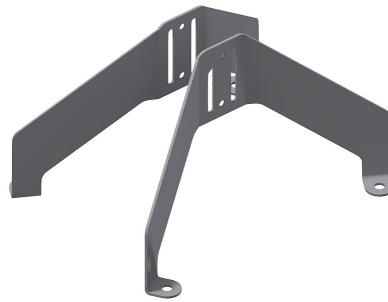
Part.no 500-1141



Series 5100

Foot

For all profiles
Zinc plated steel.
Weight 1685 g/st
Delivered in pairs (2 pcs)

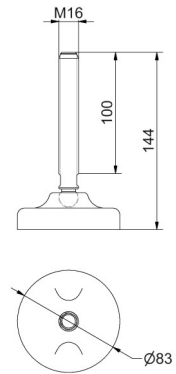
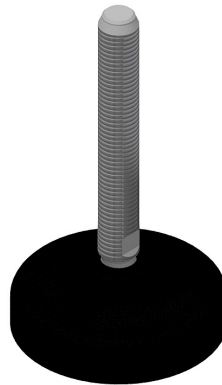


Part.no 500-1155

Adjustable foot

Stainless steel, black nylon
Weight 200 g

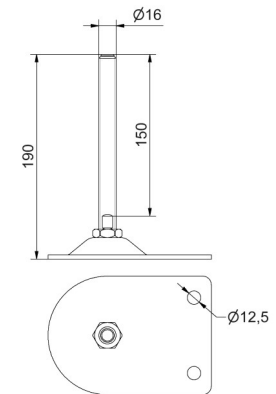
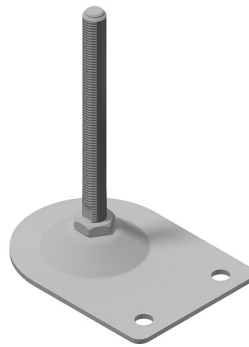
Part.no 500-1120



Adjustable foot

Stainless steel
Weight 750 g

Part.no 500-1130

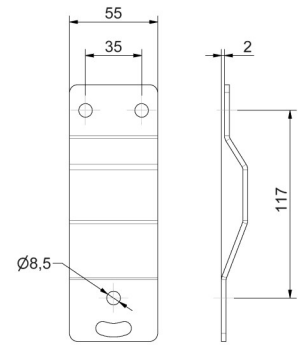


Series 5100

Support bracket

For conveyor profile 520-1000
Stainless steel
Weight 210 g

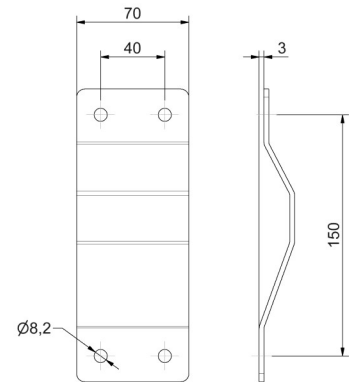
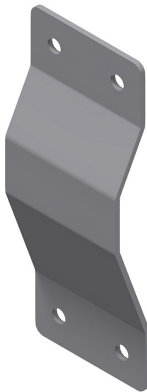
Part.no 500-1225



Support bracket

For conveyor profile 530-1000
Stainless steel
Weight 315 g

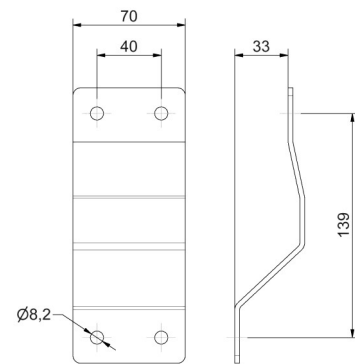
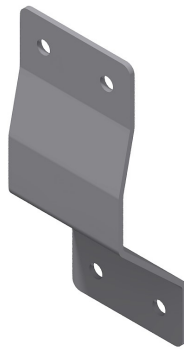
Part.no 500-1230



Support bracket

For conveyor profile 540-1000
Stainless steel
Weight 315 g

Part.no 500-1232

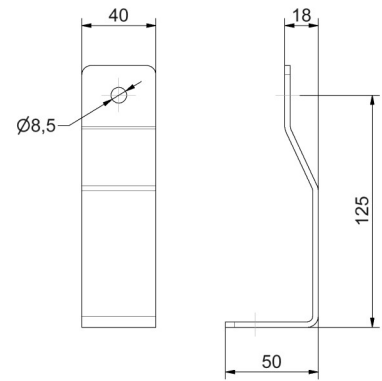
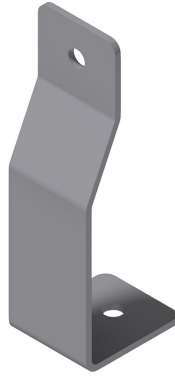


Series 5100

Support bracket

For all conveyor profiles
Stainless steel
Weight 180 g

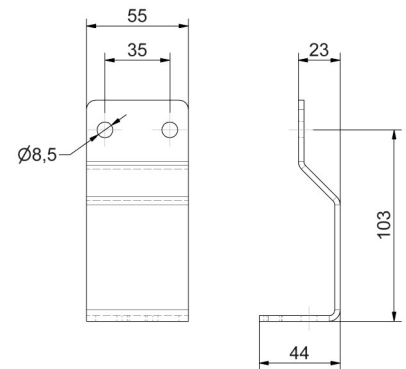
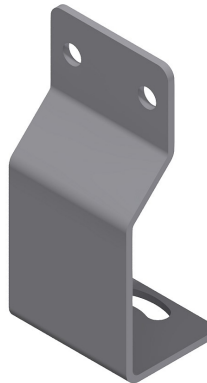
Part.no 500-1220



Support bracket

For all conveyor profiles
Stainless steel
Weight 210 g

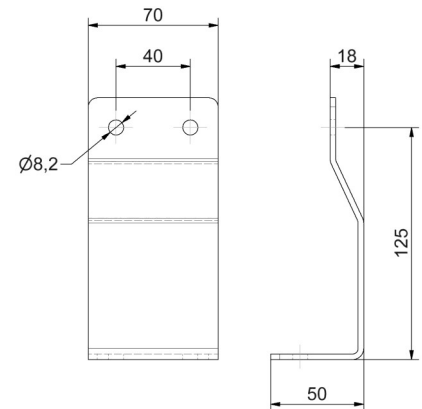
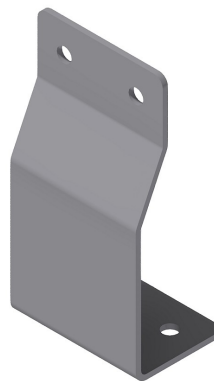
Part.no 500-1235



Support bracket

For all conveyor profiles
Stainless steel
Weight 315 g

Part.no 500-1240

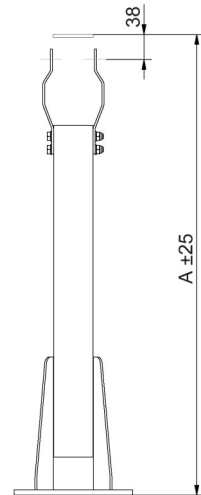


Series 5100

Support stand

For S520
Stainless steel

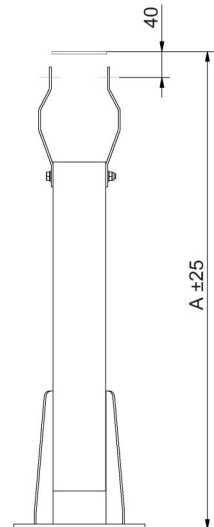
Part.no 500-1351



Support stand

For S530
Stainless steel

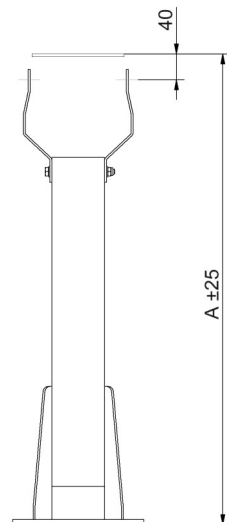
Part.no 500-1341



Support stand

For S540
Stainless steel

Part.no 500-1346

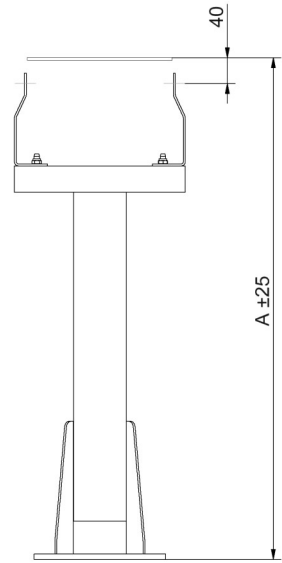


Series 5100

Support stand

For S560
Stainless steel

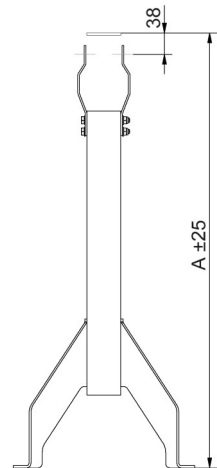
Part.no 500-1349



Support stand

For S520
Stainless steel

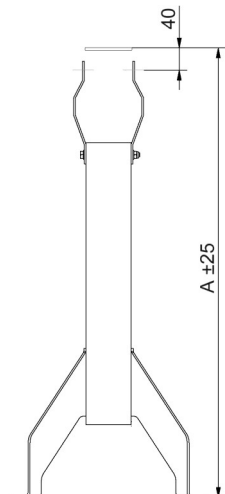
Part.no 500-1380



Support stand

For S530
Stainless steel

Part.no 500-1370

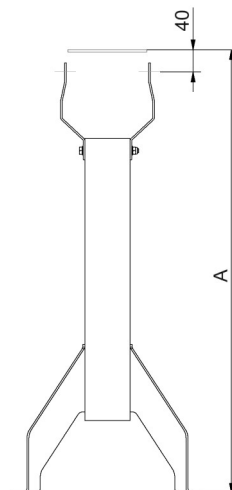


Series 5100

Support stand

For S540
Stainless steel

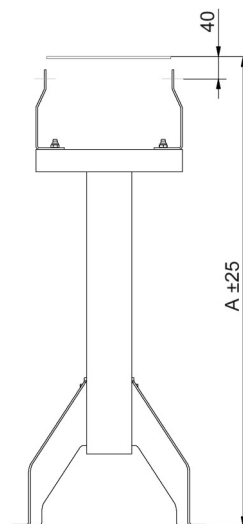
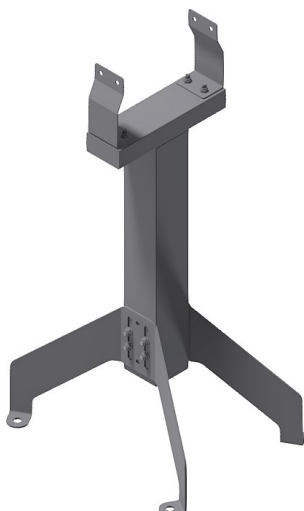
Part.no 500-1375



Support stand

For S560
Stainless steel

Part.no 500-1378

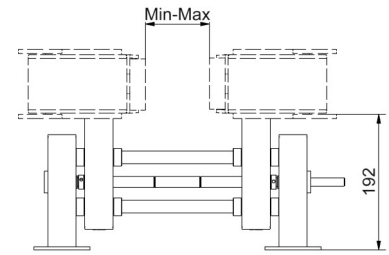
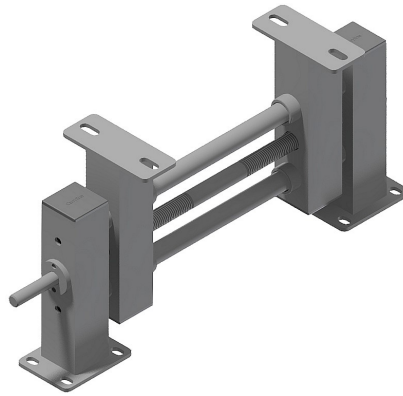


Series 5100

Width adjustment actuator

Width adjustment actuator for side grip conveyor
 Stainless steel

Part.no	Width
100-1400-0-100	0-100 mm
100-1400-0-150	0-150 mm
100-1400-0-200	0-200 mm
100-1400-0-250	0-250 mm
100-1400-0-300	0-300 mm

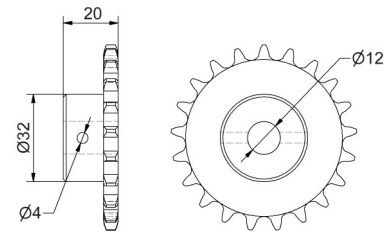
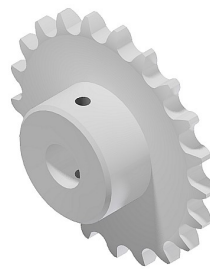


Enter width when ordering
 Other widths on request

Sprocket

Sprocket for width adjustment actuator
 21 teeth, white acetal

Part.no 100-1420

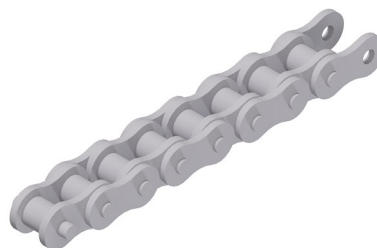


Chain

Chain 3/8 " for width adjustment
 actuator

Nickel-plated steel chain
 Enter length when ordering.
 Complete with chain lock.

Part.no 100-1430



Chain lock

Part.no 100-1432

Semi-link

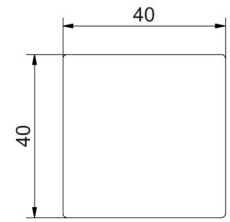
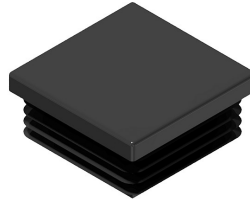
Part.no 100-1434

Series 5100

End cap

For 500-1010
Black thermoplastic
Weight 15 g

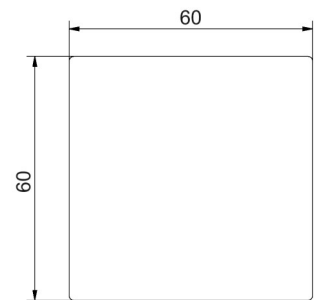
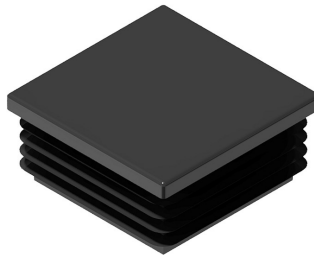
Part.no 500-2010



End cap

For 500-1015
Black thermoplastic
Weight 36 g

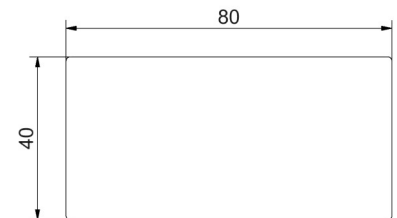
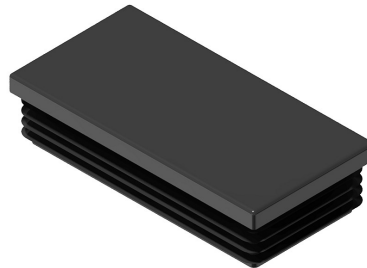
Part.no 500-2040



End cap

For 500-1020
Black thermoplastic
Weight 27 g

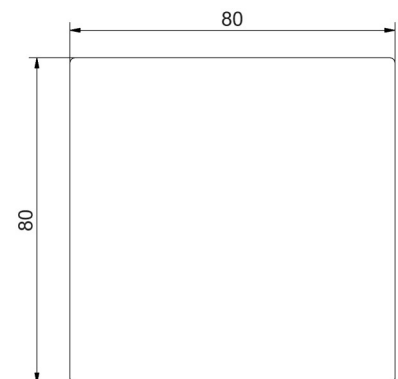
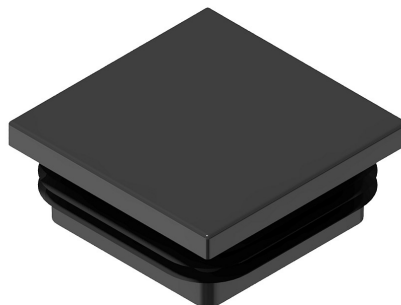
Part.no 500-2020



End cap

For 500-1030
Black thermoplastic
Weight 90 g

Part.no 500-2030



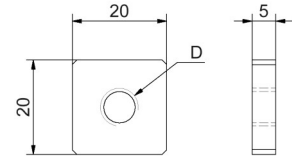
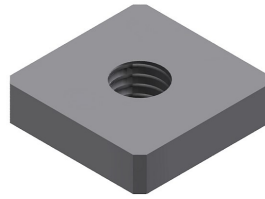
Series 5100

Square nut

Stainless steel
Weight 10 g

Square nut D= M6
Part.no 500-4370

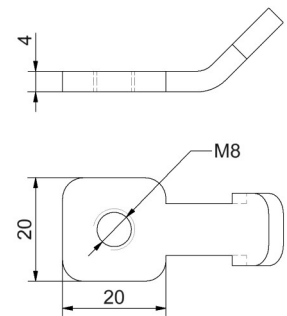
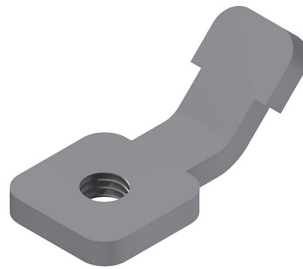
Square nut D= M8
Part.no 500-4380



Slot nut

Stainless steel
Weight 20 g

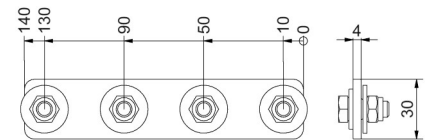
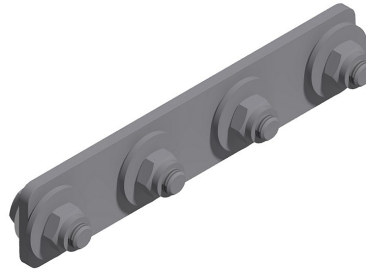
Part.no 15321



Connecting strip

Connecting strip including stainless steel fasteners
Weight 210 g

Part.no 500-4320





S5200

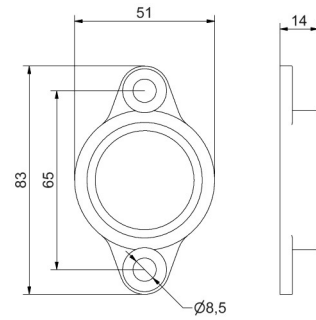


Series 5200

Bearing house

Bearing house for bearing 6004
 Black reinforced nylon
 Weight 15 g

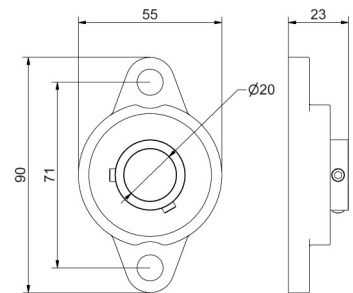
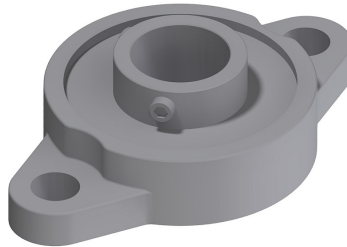
Part.no 200-6050



Flange bearing UFL004 SS

Cast stainless steel
 Weight 229 g

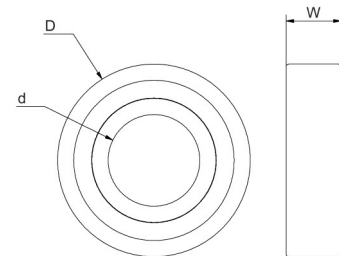
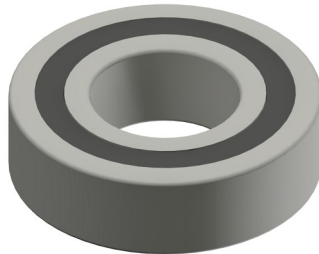
Part.no 500-3290



Stainless steel ball bearing

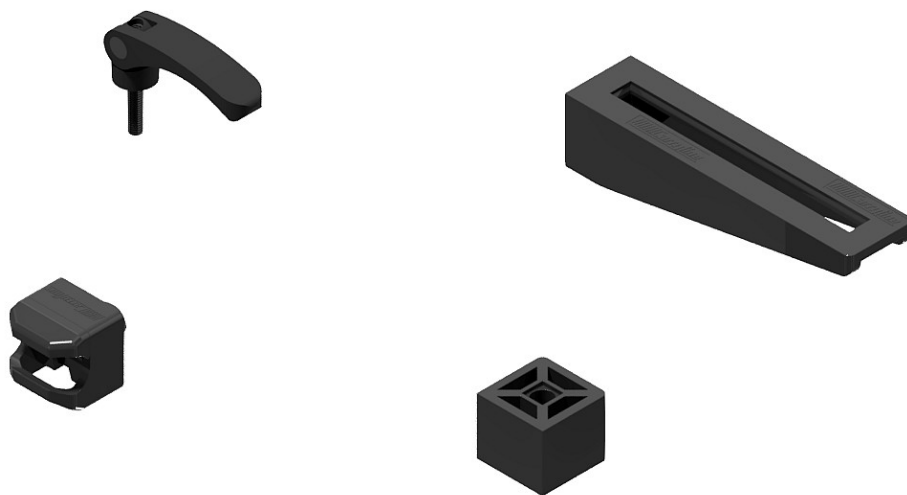
Stainless steel ball bearing with rubber seal

Part.no	d	D	W	Weight
SS6202-2RS	15	35	11	44 g
SS6003-2RS	17	35	10	39 g
SS6203-2RS	17	40	12	64 g
SS6004-2RS	20	42	12	66 g





S5300



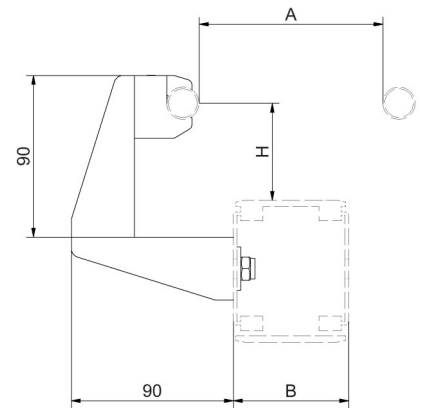
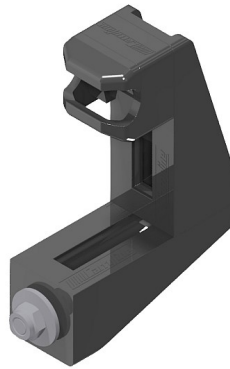
Series 5300

Guide rail bracket

Complete guide rail bracket including stainless steel fasteners
 Black reinforced nylon
 Weight 220 g

Part.no 500-5300

B	A MAX	H MAX
S520	100	50
S530	120	50
S540	180	50
S560	260	50

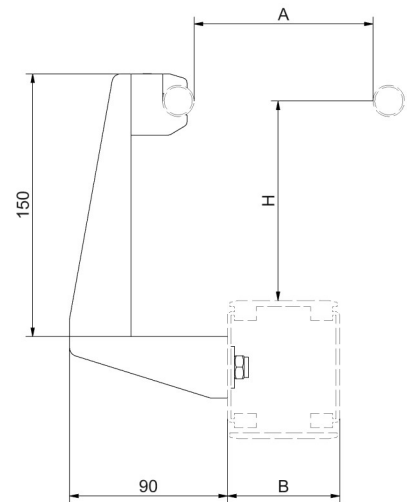
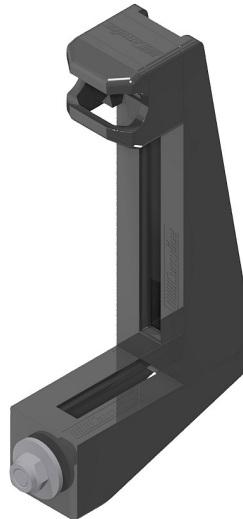


Guide rail bracket

Complete guide rail bracket including stainless steel fasteners
 Black reinforced nylon
 Weight 250 g

Part.no 500-5320

B	A MAX	H MAX
S520	100	110
S530	120	110
S540	180	110
S560	260	110

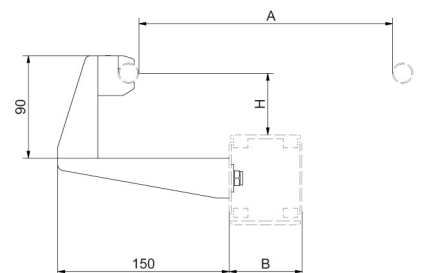
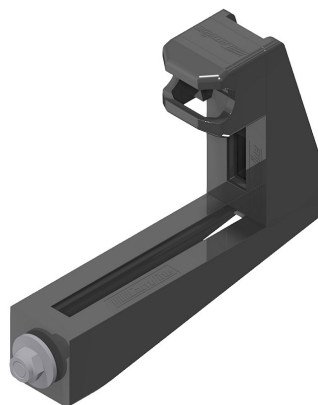


Guide rail bracket

Complete guide rail bracket including stainless steel fasteners
 Black reinforced nylon
 Weight 250 g

Part.no 500-5340

B	A MAX	H MAX
S520	220	50
S530	240	50
S540	300	50
S560	380	50

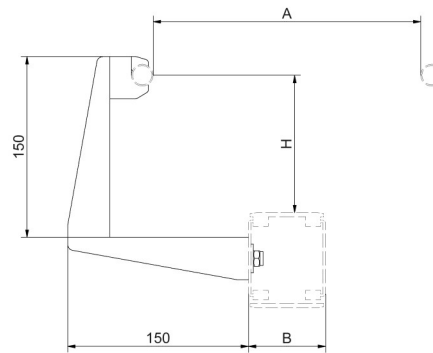
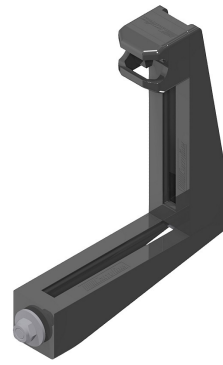


Series 5300

Guide rail bracket

Complete guide rail bracket including stainless steel fasteners
 Black reinforced nylon
 Weight 280 g

Part.no 500-5360

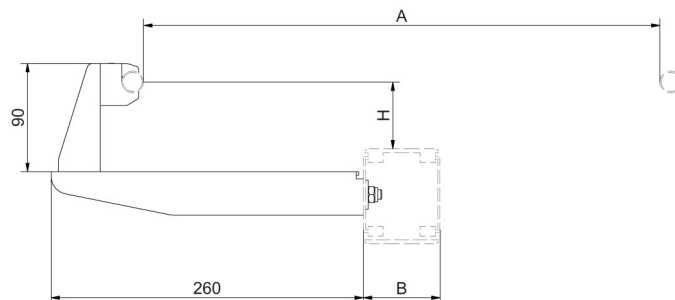


B	A MAX	H MAX
S520	220	110
S530	240	110
S540	300	110
S560	380	110

Guide rail bracket

Complete guide rail bracket including stainless steel fasteners
 Black reinforced nylon and stainless steel
 Weight 510 g

Part.no 500-5370



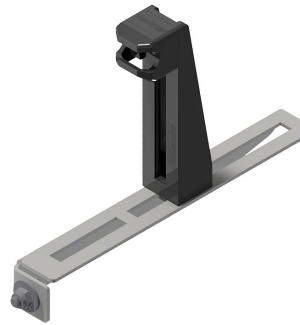
B	A MAX	H MAX
S520	435	50
S530	455	50
S540	515	50
S560	595	50

Series 5300

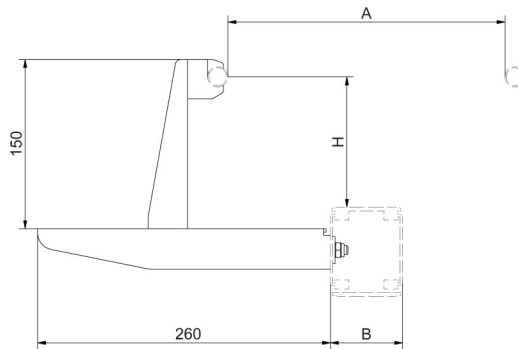
Guide rail bracket

Complete guide rail bracket including stainless steel fasteners
 Black reinforced nylon and stainless steel
 Weight 540 g

Part.no 500-5380



B	A MAX	H MAX
S520	435	110
S530	455	110
S540	515	110
S560	595	110



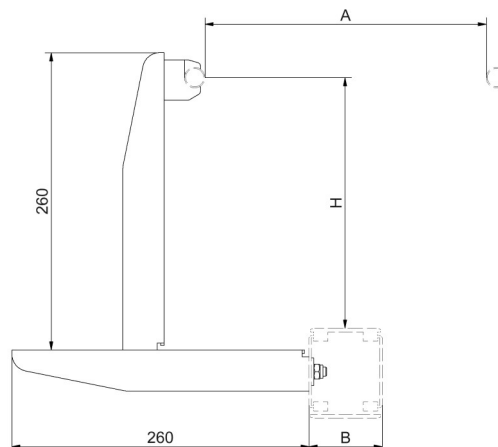
Guide rail bracket

Complete guide rail bracket including stainless steel fasteners
 Black reinforced nylon and stainless steel
 Weight 830 g

Part.no 500-5390



B	A MAX	H MAX
S520	435	220
S530	455	220
S540	515	220
S560	595	220

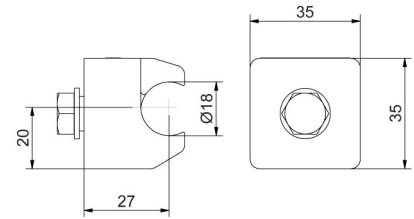


Series 5300

Guide rail support

Black reinforced nylon and stainless steel fasteners
Weight 55 g

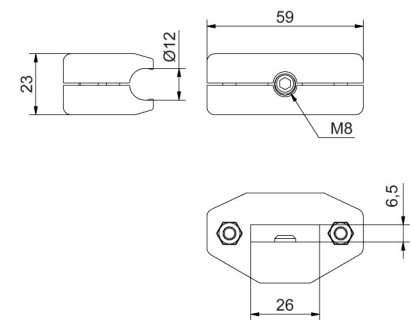
Part.no 500-6120



Guide rail support

Black reinforced nylon and stainless steel fasteners
Weight 50 g

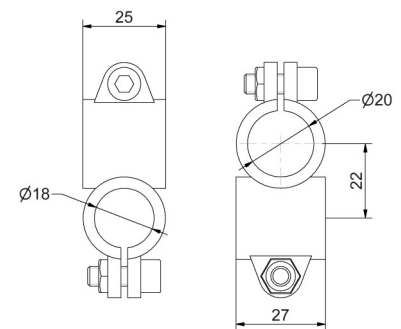
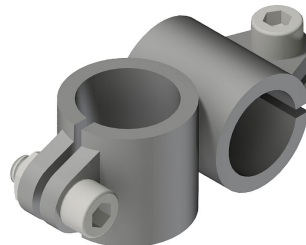
Part.no 500-6110



Guide rail support

Black reinforced nylon and stainless steel fasteners
Weight 35 g

Part.no 500-6150

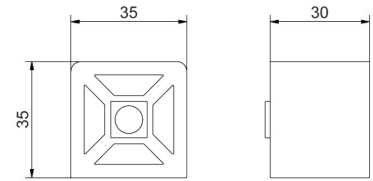
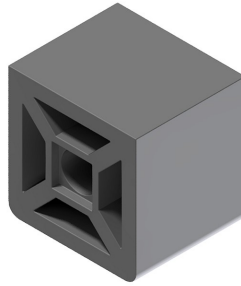


Series 5300

Spacer

For all angle bracket in nylon
Black reinforced nylon
Weight 40 g

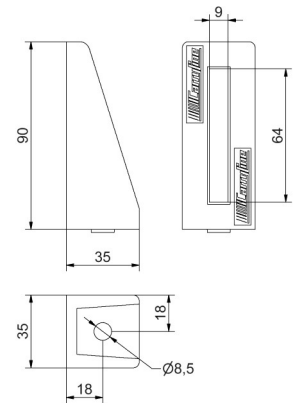
Part.no 300-2030



Angle bracket

Black reinforced nylon
Weight 58 g

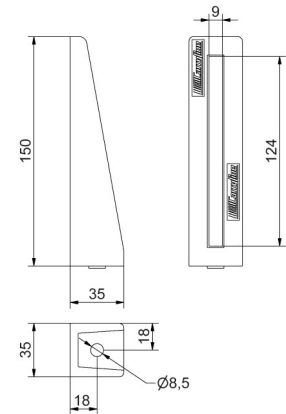
Part.no 300-2090



Angle bracket

Black reinforced nylon
Weight 90 g

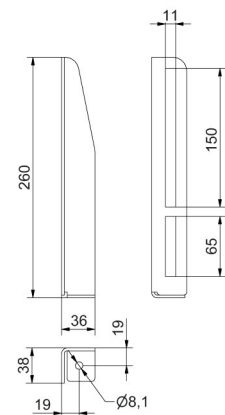
Part.no 300-2150



Angle bracket

Stainless steel
Weight 375 g

Part.no 500-5460

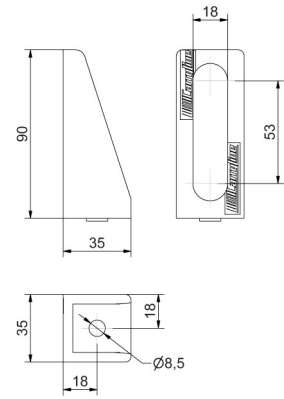


Series 5300

Angle bracket

Angle bracket for photocell
Black acetal
Weight 36 g

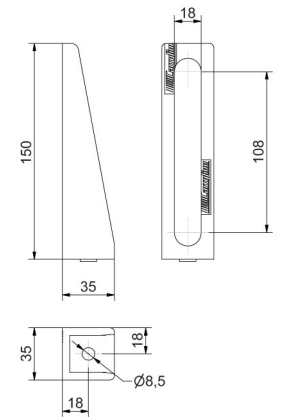
Part.no 300-2900



Angle bracket

Angle bracket for photocell
Black acetal
Weight 52 g

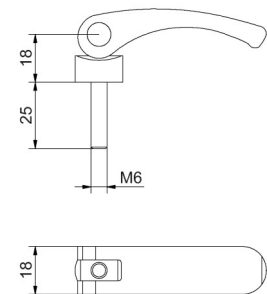
Part.no 300-2910



Cam lever

Black thermoplastic and stainless steel
Weight 33 g

Part.no 500-3312



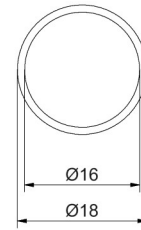
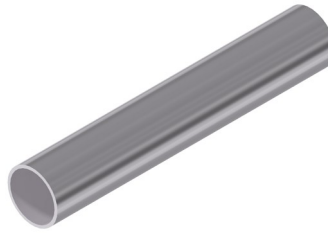
Series 5300

Guide rail

Glossy polished stainless steel

Weight 440 g/m

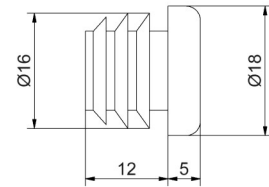
Length 6 m

**Part.no 500-6000****End cap**

For guide rail 500-6000

Black thermoplastic

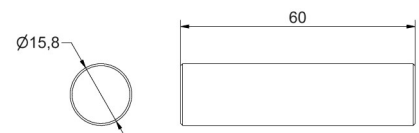
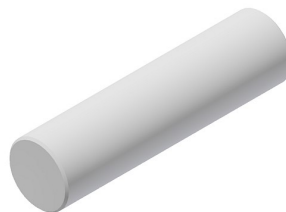
Weight 3 g

**Part.no 500-6200****Connecting piece**

For guide rail 500-6000

White acetal

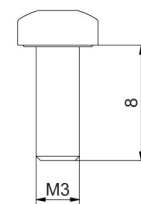
Weight 15 g

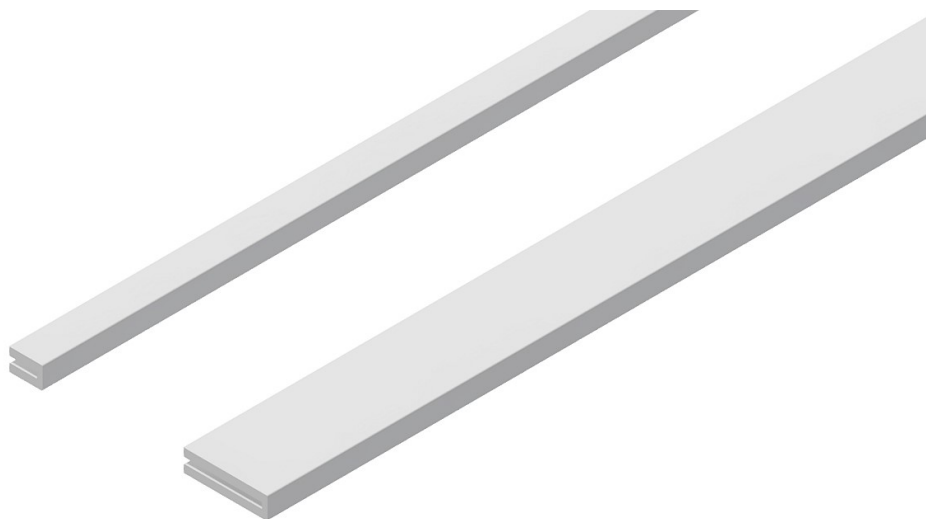
**Part.no 500-6250****Screw**

For connecting piece 500-6250

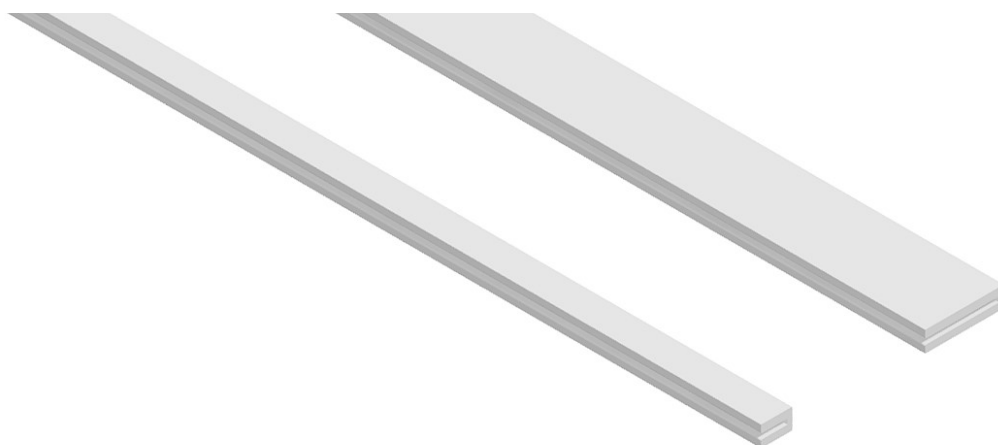
Stainless steel

Weight 2 g

**Part.no 500-6260**



S5400



Series 5400

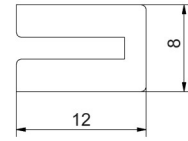
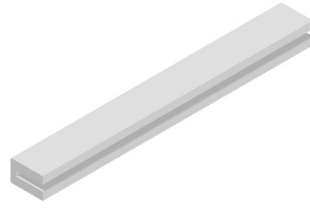
Slide rail

Slide rail for S520, S530, S540, S560

White nylon

Weight 80 g/m

Length 25 m



Part.no 500-4000

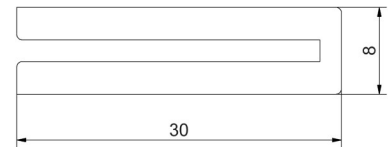
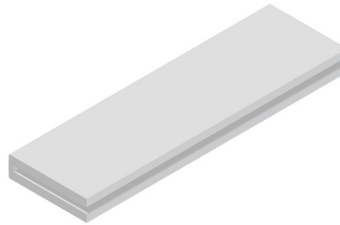
Slide rail

Slide rail for S540

White nylon

Weight 195 g/m

Length 25 m



Part.no 500-4100

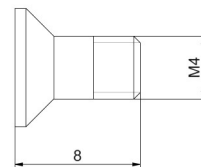
Screw

Screw for slide rail

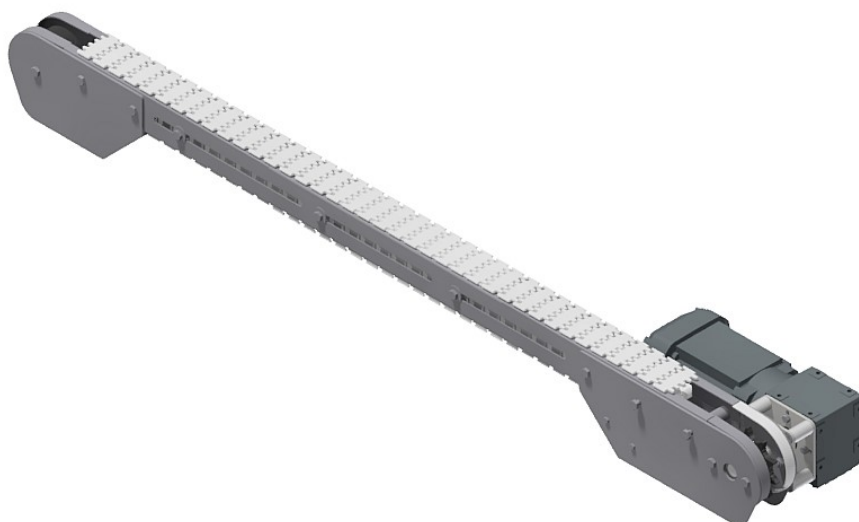
Screw with Allen socket 2.5

Stainless steel

Weight 1 g



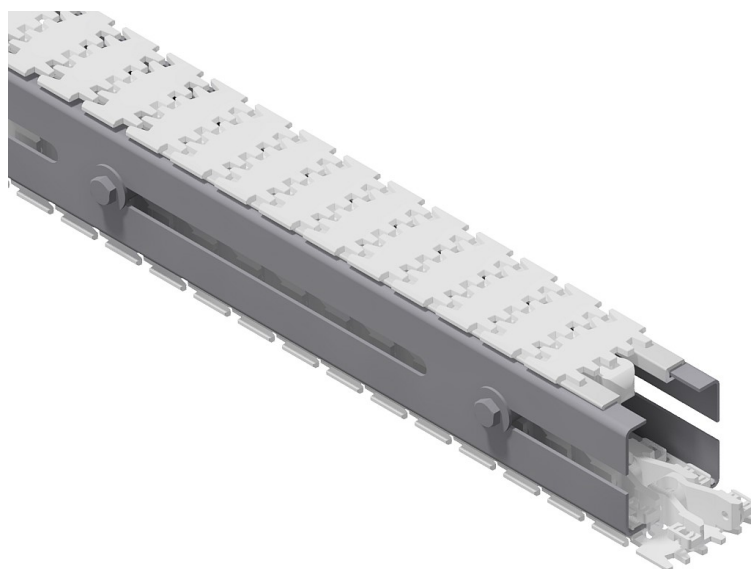
Part.no 500-4200



S520



Series 520



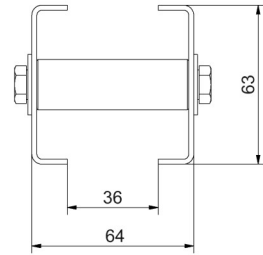
Technical specification S520	
Width of chain	62 mm
Chain pitch	30 mm
Width conveyor profile	64 mm
Height conveyor	78 mm
Radius conveyor chain on the drive and idler unit	70 mm
Max. permitted traction on the conveyor chain	500 N
Weight conveyor	≈ 5 kg/m **
Recommended maximum weight on conveyor	≈ 105 kg *
Recommended maximum load	≈ 10 kg/m *
Recommended maximum length of conveyor	≈ 20 m *
Recommended maximum speed	60 m/min
Minimum radius on horizontal bend	R 191 mm
Wheel curve radius	R 141 mm and R191
Vertical bend radius	R 400 mm and R 860 mm
Motor	0,18 - 0,47 kW
Noise level	< 70 dB (A)
Chain material	Acetal
Conveyor profile material	Stainless steel
* Recommended maximum length depends on the design, load and number of bends.	
** The weight of the conveyor depends on which type of chain, guide rail and guide rail bracket.	

Series 520

Conveyor profile S520

Stainless steel
Weight 2800 g/m
Length 2,48 m

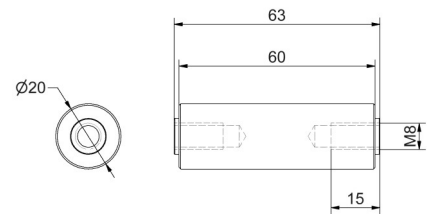
Part.no 520-1000



Spacer

For 520-1000
Stainless steel
Weight 150 g

Part.no 520-1030



Including stainless steel fasteners
Part.no 520-1035

Series 520

Conveyor chain S620

Acetal, nylon and stainless steel.

Standard version top flights are made of white acetal which is food approved

Allowed traction force 500 N.

On request, chain and top flight can be delivered in non-standard material.

Enter the following additional letter.

L = Low friction

V = Heat resistance

A = Antistatic

F = Flocked

Order example 620-2000L

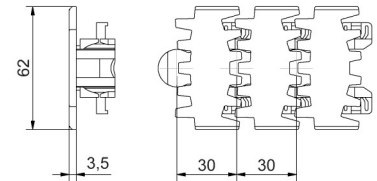
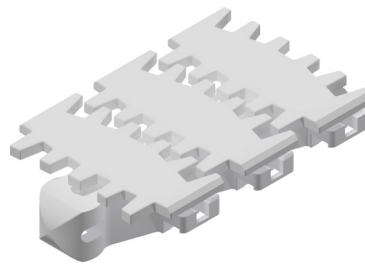
Finger chain

Slat standard chain for S620 and S520

Weight 760 g/m

Qty 33 pcs/m

Part no. 620-2000



Link for standard chain

Weight 17 g

Part no. 620-2001

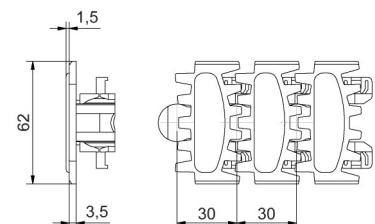
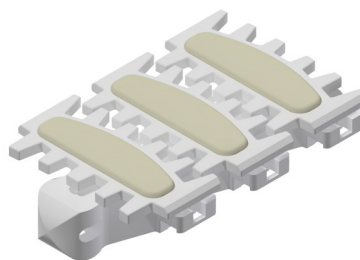
Finger chain friction

Standard chain with friction for S620
and S520

Weight 770 g/m

Qty 33 pcs/m

Part no. 620-2010



Link for friction chain

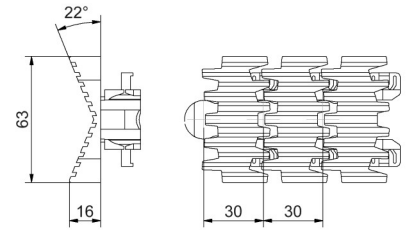
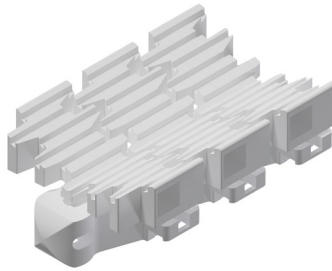
Weight 18 g

Part no. 620-2011

Series 520

V-chain

For S620 and S520
 Weight 880 g/m
 Qty 33 pcs/m

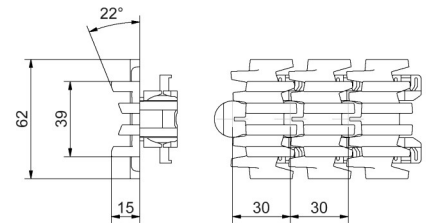
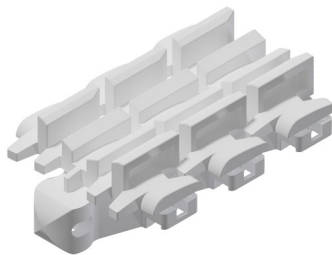


Part.no 620-2130

Link for v-chain
 Weight 25 g
Part.no 620-2131

V-chain

For S620 and S520
 Weight 890 g/m
 Qty 33 pcs/m

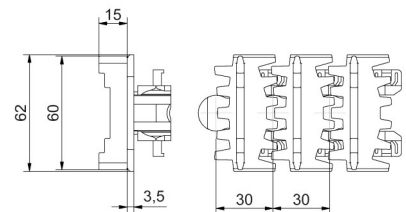
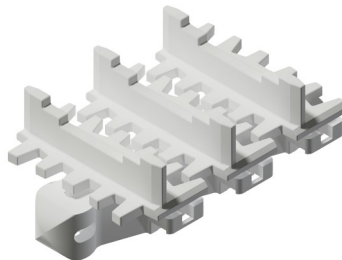


Part.no 620-2135

Link for v-chain
 Weight 23 g
Part.no 620-2136

Chain with carrier

For S620 and S520
 Weight 880 g/m
 Qty 33 pcs/m

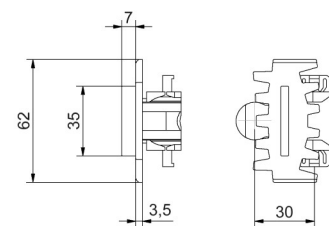
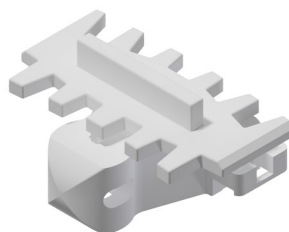


Part.no 620-2067

Link for carrier chain
 Weight 21 g
Part.no 620-2068

Link with carrier

For S620 and S520
 Weight 19 g

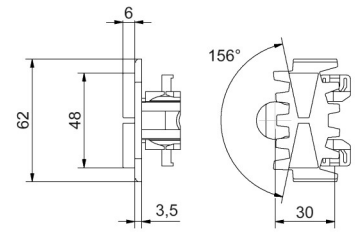
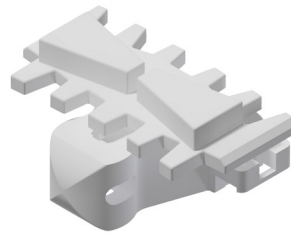


Part.no 620-2065

Series 520

Link with carrier

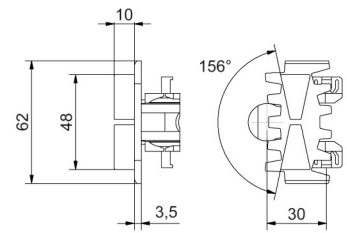
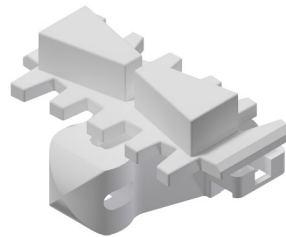
For S620 and S520
Weight 880 g/m
Qty 33 st/m



Part.no 620-2179

Link with carrier

For S620 and S520
Weight 24 g



Part.no 620-2189

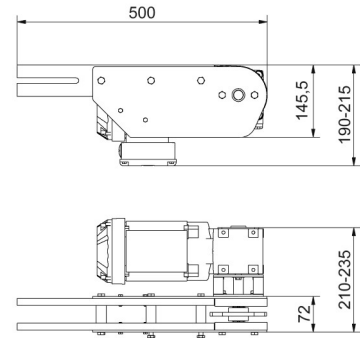
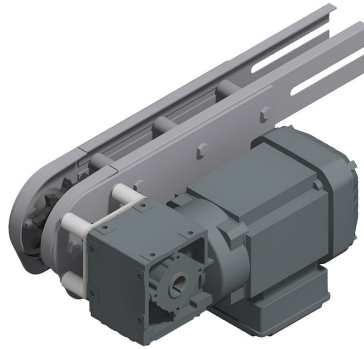
Series 520

520-30

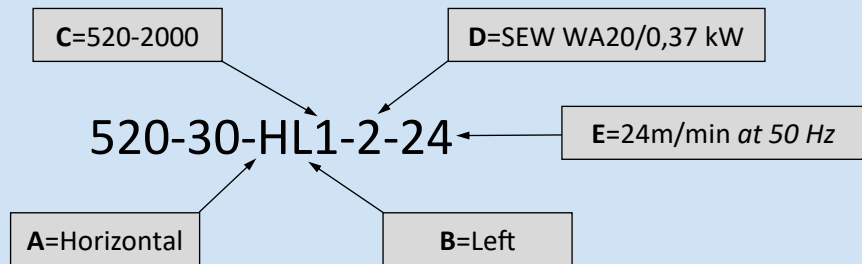
Drive unit with direct transmission S520. IP55 and stainless steel hollow shaft. Configuration of default drive with direct transmission **520-30-ABC-D-E**.

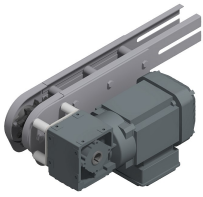
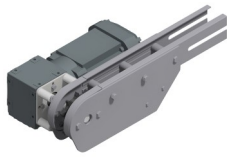
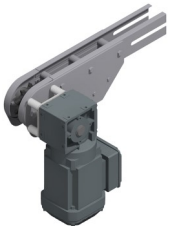
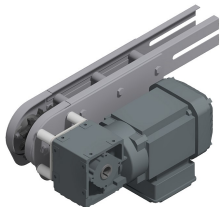
If needed, roller transfers and brackets can be found on page 35.

Weight without motor 6000 g
Weight with motor 13000-19000 g



Order example



A: <u>Assembly position</u>	B: <u>Placement</u>	C: <u>Conveyor chain</u>	D: <u>Motor/gear</u> <u>Power</u>	E: <u>Speed m/min</u> <u>at 50 Hz</u>
H: Horizontal 	R: Right 	1: 620-2000 620-2010	1: SEW WA20 0,25 kW	8 18 34 10 20 47 12 25 59 15 29
		2: 620-2189 620-2179		2: SEW WA20 0,37 kW
V: Vertical 	L: Left 	3: 620-2065 620-2135	3: SEW WA30 0,37 kW	6 15 30 8 18 34 10 20 48 12 25 59
		4: 620-2130		
				W Without motor/gear. Assembly position and shaft prepared for selected placement. More options →

Series 520

Cont. 520-30

D: <u>Motor/gear</u> <u>Power</u>	E: <u>Speed m/min</u> <u>at 50 Hz</u>		
5: SEW SA37 0,37 kW	8 10 13 16	19 25 27 31	36
6: Lenze G500-B45 0,18 kW	13 15 17 19	21 25 28 31	36 41 45 52
7: Lenze G500-B110 0,18 kW	8 10 12 15	19 21 25 33	38 41
8: Lenze G500-B45 0,25 kW	19 22 25 28	32 36 41 46	52
9: Lenze G500-B110 0,25 kW	11 12 15 19	21 25 27 31	38 42 46 52
10: Lenze G500-B45 0,37 kW	28 32 37 42	47 54	

D: <u>Motor/gear</u> <u>Power</u>	E: <u>Speed m/min</u> <u>at 50 Hz</u>		
11: Lenze G500-B110 0,37 kW	11 13 16 20	22 25 28 32	34 39 43 47
14: Lenze Smart Motor G500-B45 max 0,47 kW	Adjustable speed 6-31 m/min		
15: Lenze Smart Motor G500-B45 max 0,47 kW	Adjustable speed 10-50 m/min		
	W Without motor/gear. Assembly position and shaft prepared for selected place- ment.		

If needed, roller transfers and brackets can be found on page 35.

Series 520

Cont. 520-30

Bracket for roller transfer and connecting strip between conveyors

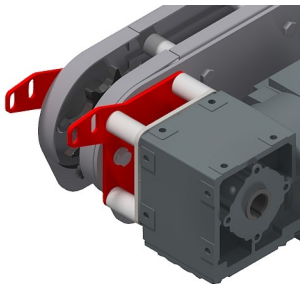
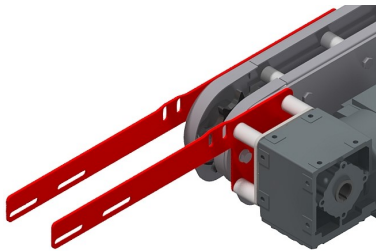
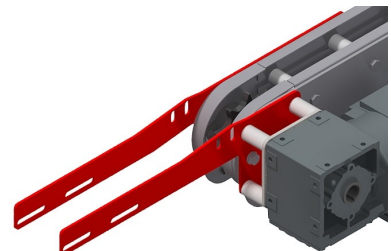
The following configuration is listed on order number 520-30-ABC-D-E- **with one additional letter**.

A = 500-3117L/R and 500-7112.

B = 500-3119L/R and 500-7120.

C = 500-3118L/R and 500-7130, 7 mm level difference.

Order example: 520-30-HL1-2-24-**A**

A**B****C**

Bracket for roller transfer and connecting strip including roller transfer

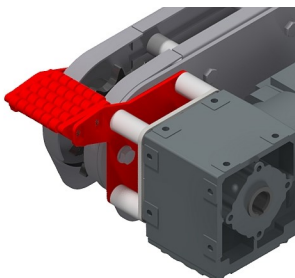
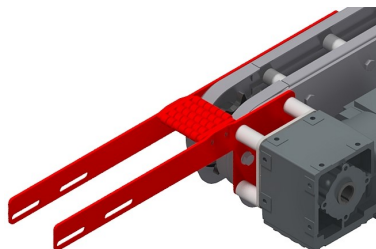
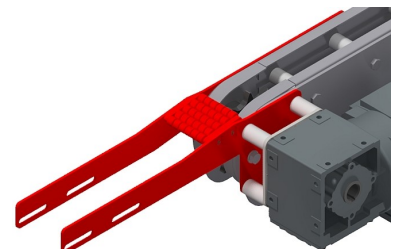
The following configuration is listed on the existing order number 520-30-ABC-D-E- **with two extra letters**.

AR = 500-3117L/R, 500-7112 and 500-7000.

BR = 500-3119L/R, 500-7120 and 500-7000.

CR = 500-3118L/R, 500-7130 and 500-7000, 7 mm level difference.

Order example: 520-30-HL1-2-24-**AR**

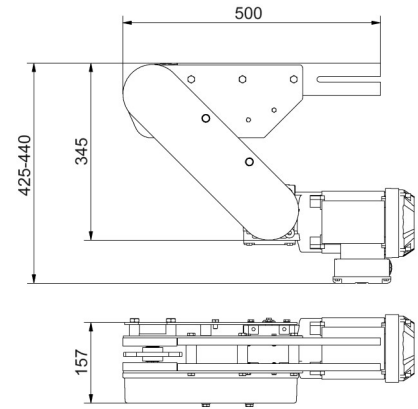
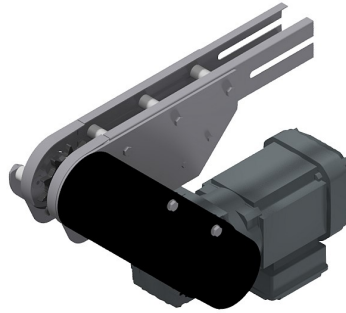
AR**BR****CR**

Series 520

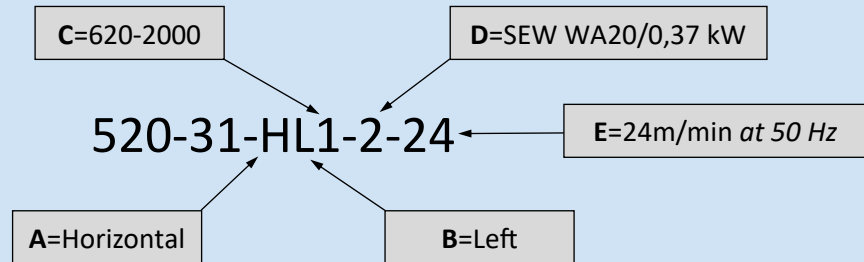
520-31

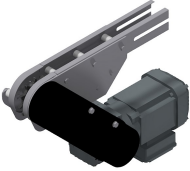
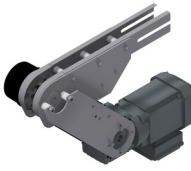

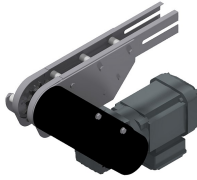
Drive unit with suspended motor with timing belt transmission S520. IP55 and stainless steel hollow shaft. Configuration of default drive unit **520-31-ABC-D-E**.

If needed, roller transfers and brackets can be found on page 38.



Order example



A: <u>Assembly position</u>	B: <u>Placement</u>	C: <u>Conveyor chain</u>	D: <u>Motor/gear</u> <u>Power</u>	E: <u>Speed m/min</u> <u>at 50 Hz</u>
H: Horizontal 	R: Right 	1: 620-2000 620-2010	1: SEW WA20 0,25 kW	8 18 34 10 20 47 12 25 59 15 29
		2: 620-2189 620-2179		2: SEW WA20 0,37 kW
V: Vertical 	L: Left 	3: 620-2065 620-2135	3: SEW WA30 0,37 kW	6 15 30 8 18 34 10 20 48 12 25 59
		4: 620-2130		
				W Without motor/gear. Assembly position and shaft prepared for selected place- ment. More options →

Series 520

Cont. 520-31

D: Motor/gear Power	E: Speed m/min at 50 Hz		
5: SEW SA37 0,37 kW	8 10 13 16	19 25 27 31	36
6: Lenze G500-B45 0,18 kW	13 15 17 19	21 25 28 31	36 41 45 52
7: Lenze G500-B110 0,18 kW	8 10 12 15	19 21 25 33	38 41
8: Lenze G500-B45 0,25 kW	19 22 25 28	32 36 41 46	52
9: Lenze G500-B110 0,25 kW	11 12 15 19	21 25 27 31	38 42 46 52
10: Lenze G500-B45 0,37 kW	28 32 37 42	47 54	

D: Motor/gear Power	E: Speed m/min at 50 Hz		
11: Lenze G500-B110 0,37 kW	11 13 16 20	22 25 28 32	34 39 43 47
14: Lenze Smart Motor G500-B45 max 0,47 kW	Adjustable speed 6-31 m/min		
15: Lenze Smart Motor G500-B45 max 0,47 kW	Adjustable speed 10-50 m/min		
	W Without motor/gear. Assembly position and shaft prepared for selected place- ment.		

If needed, roller transfers and brackets can be found on page 38.

Series 520

Cont. 520-31

Bracket for roller transfer and connecting strip between conveyors

The following configuration is listed on order number 520-31-ABC-D-E- **with one additional letter**.

A = 500-7112.

B = 500-7120.

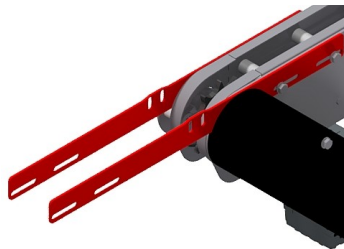
C = 500-7130, 7 mm level difference.

Order example: 520-31-HL1-2-24-A

A



B



C



Bracket for roller transfer and connecting strip including roller transfer

The following configuration is listed on the existing order number 520-31-ABC-D-E- **with two extra letters**.

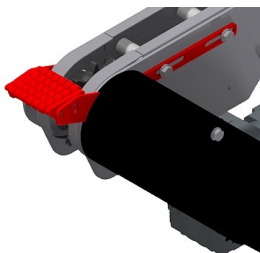
AR = 500-7112 and 500-7000.

BR = 500-7120 and 500-7000.

CR = 500-7130 and 200-7000, 7 mm level difference.

Order example: 520-31-HL1-2-24-AR

AR



BR



CR

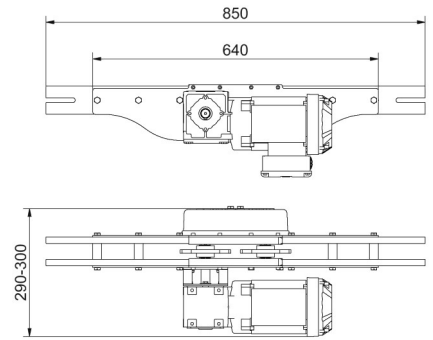
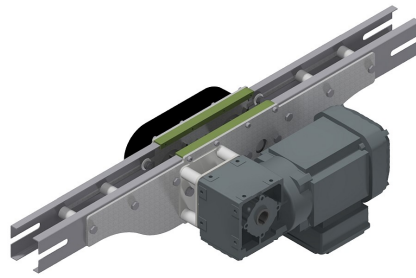


Series 520

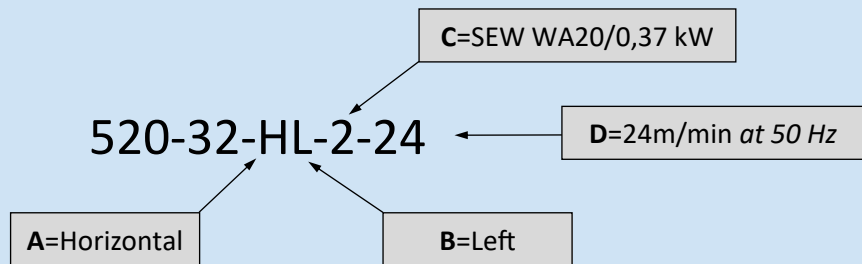
520-32

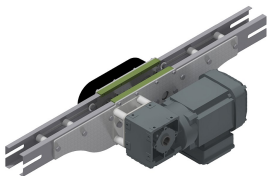
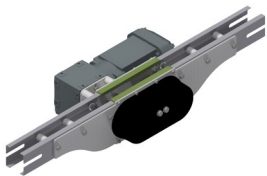
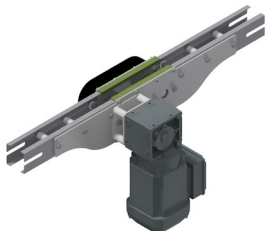
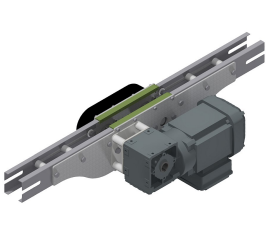
Drive unit with intermediate motor and returnchain S520.
 IP55 and stainless steel hollow shaft.
 Configuration of default drive unit
520-32-AB-C-D.

Use 520-4055 as front idler unit.



Order example



A: <u>Assembly position</u>	B: <u>Placement</u>	C: <u>Motor/gear</u> <u>Power</u>	D: <u>Speed m/min</u> <u>at 50 Hz</u>		
H: Horizontal 	R: Right 	1: SEW WA20 0,25 kW	8	18	34
			10	20	47
V: Vertical 	L: Left 	2: SEW WA20 0,37 kW	12	25	59
			15	29	
3: SEW WA30 0,37 kW			18	34	
			20	48	
			25	59	
			30		
			6	15	30
			8	18	34
			10	20	48
			12	25	59
			W Without motor/gear. Assembly position and shaft prepared for selected place- ment. More options →		

Series 520

Cont. 520-32

C: Motor/gear Power	D: Speed m/min at 50 Hz		
5: SEW SA37 0,37 kW	8 10 13 16	19 25 27 31	36
6: Lenze G500-B45 0,18 kW	13 15 17 19	21 25 28 31	36 41 45 52
7: Lenze G500-B110 0,18 kW	8 10 12 15	19 21 25 33	38 41
8: Lenze G500-B45 0,25 kW	19 22 25 28	32 36 41 46	52
9: Lenze G500-B110 0,25 kW	11 12 15 19	21 25 27 31	38 42 46 52
10: Lenze G500-B45 0,37 kW	28 32 37 42	47 54	

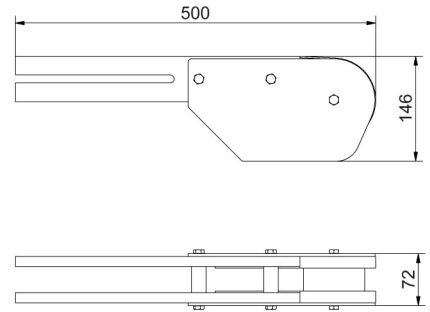
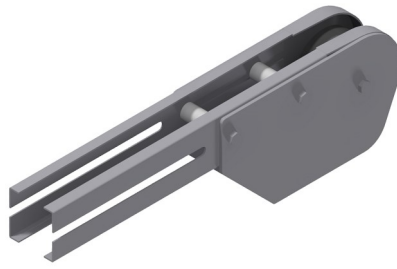
C: Motor/gear Power	D: Speed m/min at 50 Hz		
11: Lenze G500-B110 0,37 kW	11 13 16 20	22 25 28 32	34 39 43 47
14: Lenze Smart Motor G500-B45 max 0,47 kW	Adjustable speed 6-31 m/min		
15: Lenze Smart Motor G500-B45 max 0,47 kW	Adjustable speed 10-50 m/min		
	W Without motor/gear. Assembly position and shaft prepared for selected place- ment.		

Series 520

Idler unit

Standard idler unit for S520
Weight 3600 g

Part.no 520-4000



Bracket for roller transfer and bracket including roller transfer

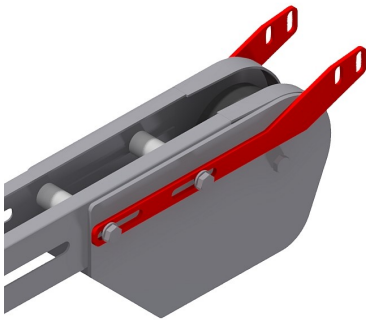
The following configuration is listed on the existing order number 520-4000- with **one/or two additional letter**.

A = 500-7111

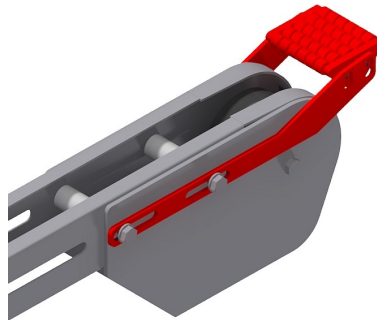
AR = 500-7111 and 500-7000

Order example: 520-4000-A

A



AR



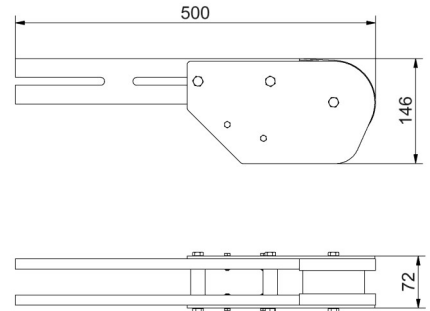
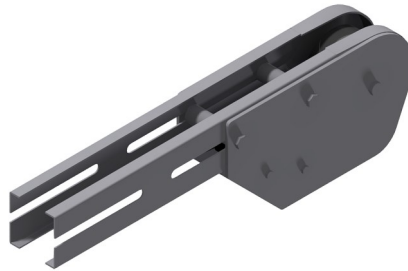
Series 520

Idler unit

Used as front idler unit for conveyor where drive unit 520-32 is included.
Configuration of idler unit

Part.no 520-4055-A

If needed, roller transfers and brackets can be found on page 43.



Order example

520-4055-1 ← **A=620-2000**

A: Conveyor chain			
1: 620-2000 620-2010	2: 620-2189 620-2179	3: 620-2065 620-2135	4: 620-2130

Series 520

Cont. 520-4055-A

Bracket for roller transfer and connecting strip between conveyors

The following configuration is listed on order number 520-4055-A- **with one additional letter**.

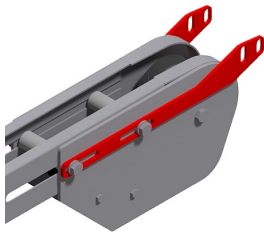
A = 500-7112.

B = 500-7120.

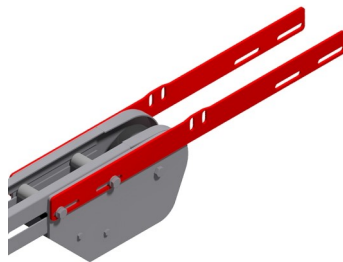
C = 500-7130, 7 mm level difference.

Order example: 520-4055-1-A

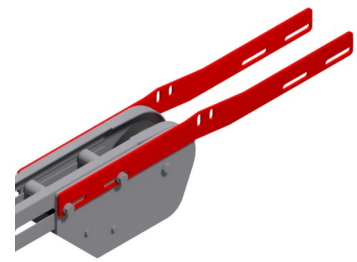
A



B



C



Bracket for roller transfer and connecting strip including roller transfer

The following configuration is listed on the existing order number 520-4055-A- **with two extra letters**.

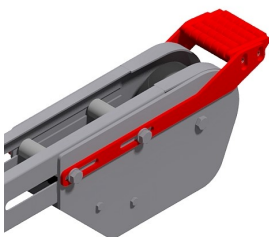
AR = 500-7112 and 500-7000.

BR = 500-7120 and 500-7000.

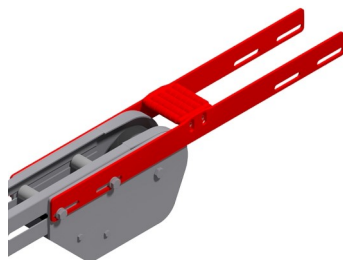
CR = 500-7130 and 500-7000, 7 mm level difference.

Order example: 520-4055-1-AR

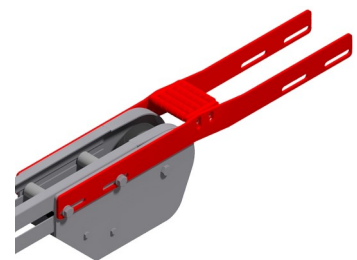
AR



BR



CR



Series 520

Wheel bend

Standard wheel bend S520 with R141 mm
Stainless steel and wheel in plastic

Configuration of default wheel bend
Part.no 520-5025-A

A= angle on bend

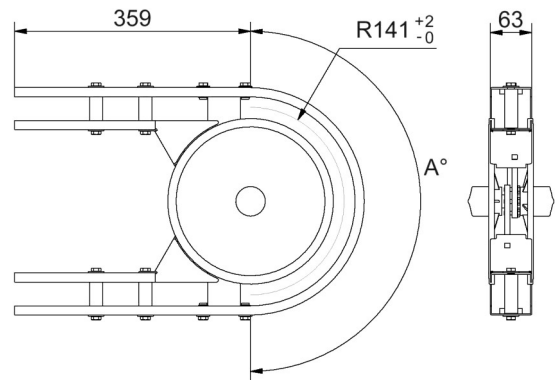
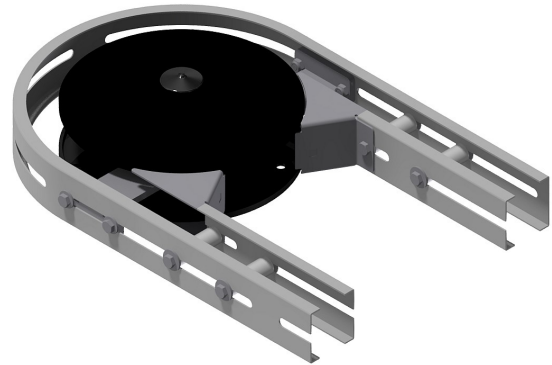
Standard angles for R141
A = 45°
A = 90°
A = 180°

Other angles are manufactured on request
Conneting strip 500-4320 is ordered separately

Order exeample

520-5025-45

A= 45°



Series 520

Wheel bend

Standard wheel bend S520 with R191 mm
Stainless steel and wheel in plastic

Configuration of default wheel bend
Part.no 520-5055-A

A= angle on bend

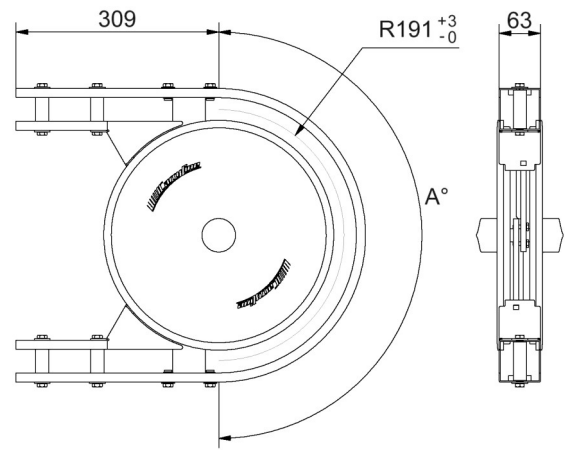
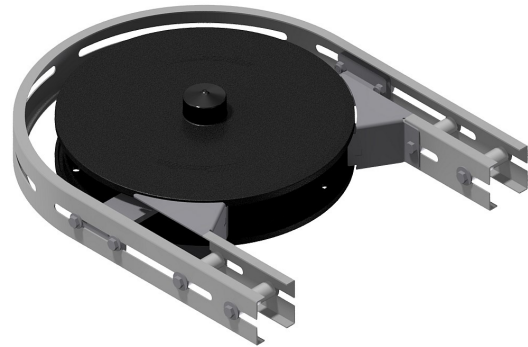
Standard angles for R191
A = 45°
A = 90°
A = 180°

Other angles are manufactured on request
Conneting strip 500-4320 is ordered separately

Order exeample

520-5055-45

A= 45°

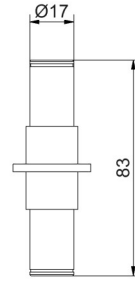


Series 520

Shaft

For wheel bend R141
Stainless steel
Weight 145 g

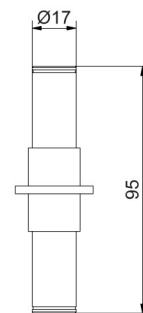
Part.no 14261_3



Shaft

For wheel bend R191
Stainless steel
Weight 165 g

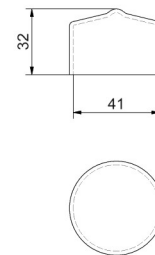
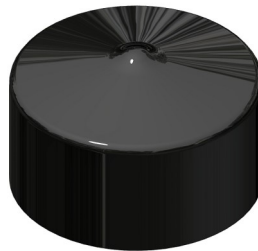
Part.no 14261_2



Plastic cover

For disc Ø252
Black PVC
Weight 11 g

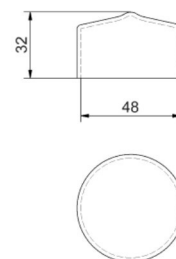
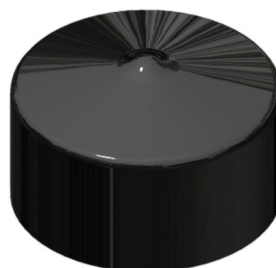
Part.no 830-5031



Plastic cover

For disc Ø350
Black PVC
Weight 15 g

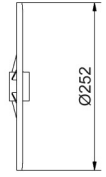
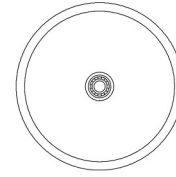
Part.no 830-5062



Series 520

Disc

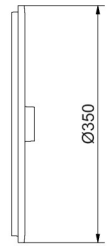
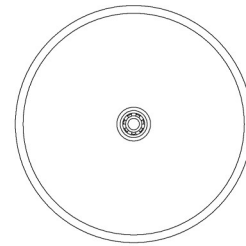
Upper disc for wheel bend R141
Complete with bearing SS6203-2RS
Black nylon
Weight 335 g



Part.no 530-5027

Disc

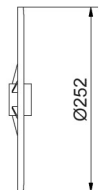
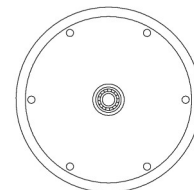
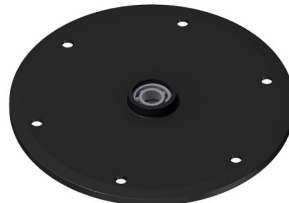
Upper disc for wheel bend R191
Complete with bearing SS6203-2RS
Black nylon
Weight 825 g



Part.no 530-5060

Disc

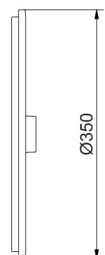
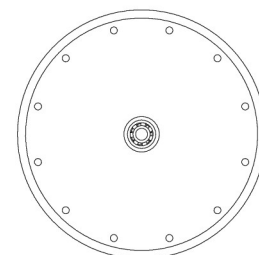
Lower disc for wheel bend R141
Complete with bearing SS6203-2RS
Black nylon
Weight 320 g



Part.no 17589

Disc

Lower disc for wheel bend R191
Complete with bearing SS6203-2RS
Black nylon
Weight 800 g



Part.no 17590

Series 520

Plain bend

Standard plain bend S520
Stainless steel

Plain bend configuration
Part.no 520-5375-A-B

A= bend radius

B= angle on bend

The following radius and angles are standard

A = Radius	B = Angle
191 mm	15°, 30°, 45°, 90°, 180°
289 mm	15°, 30°, 45°, 90°, 180°
389 mm	15°, 30°, 45°, 90°, 180°
489 mm	15°, 30°, 45°, 90°, 180°
589 mm	15°, 30°, 45°, 90°, 180°

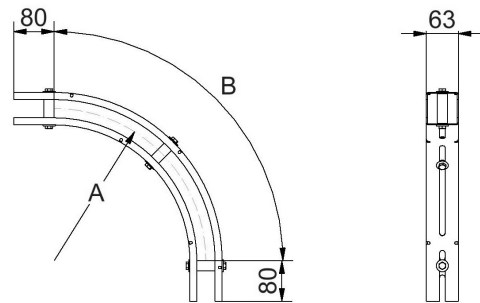
Other radius and angles are manufactured on request

Order example

520-5375-389-90

A= 389 mm

B= 90°



Series 520

Vertical bend

Standard vertical bend R400
Stainless steel

Vertical bend configuration
Part.no 520-5645-A

A= angle on bend

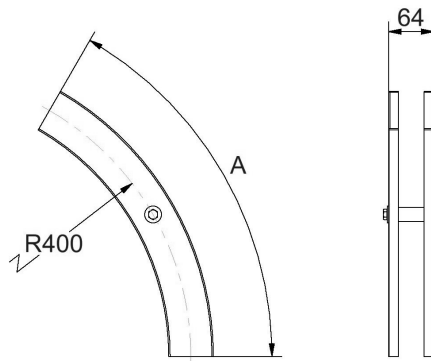
Standard angles for R400
A = 10°
A = 15°
A = 20°
A = 30°
A = 45°
A = 60°
A = 90°

Other radius and angles are manufactured on request
Minimum 10°

Order example

520-5645-45

A= 45°



Series 520

Vertical bend

Standard vertical bend R860
Stainless steel

Vertical bend configuration
Part.no 520-5695-A

A= angle on bend

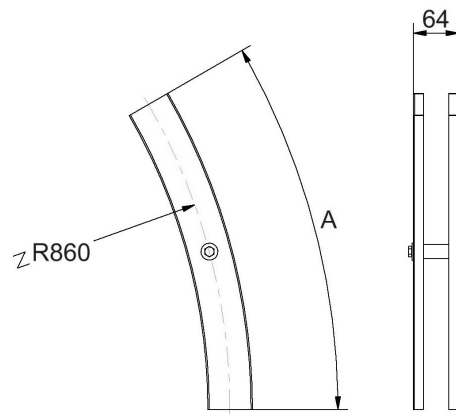
Standard angles for R860
A = 5°
A = 10°
A = 15°
A = 20°
A = 30°
A = 45°
A = 60°
A = 90°

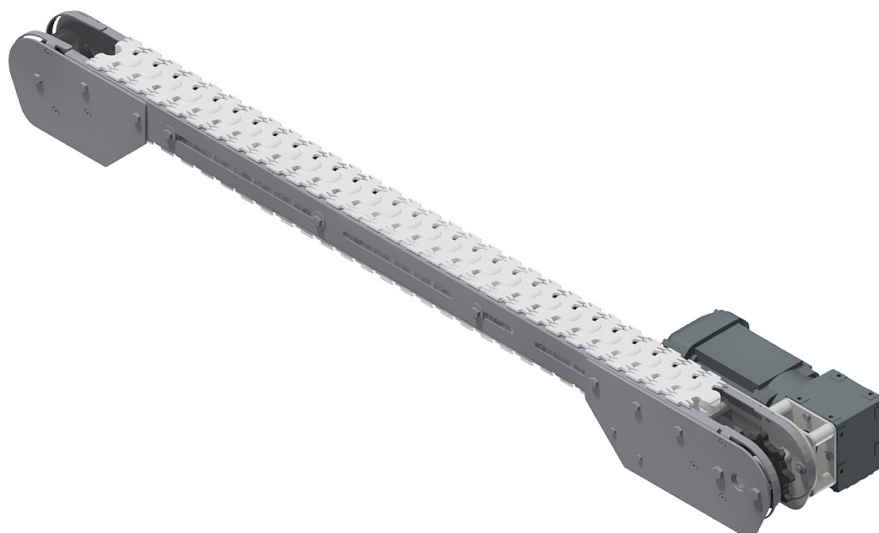
Other radius and angles are manufactured on request
Minimum 5°

Order example

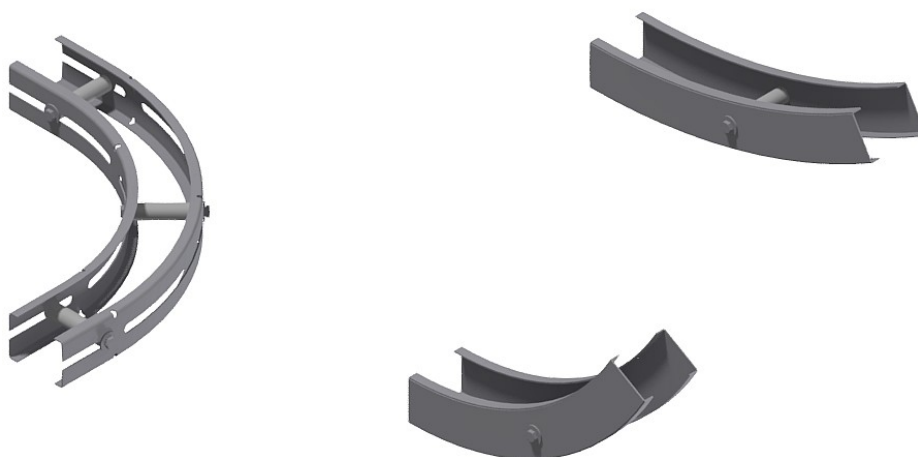
520-5695-45

A= 45°





S530



Series 530



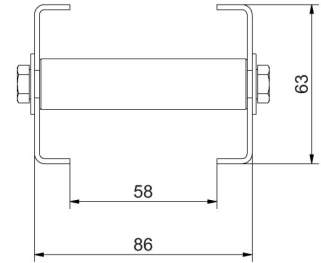
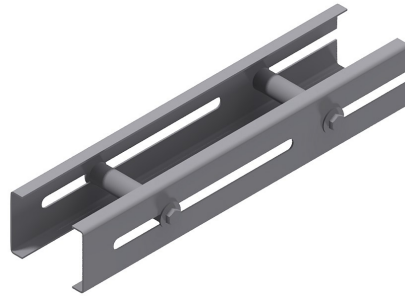
Technical specification S530	
Width of chain	83 mm
Chain pitch	38 mm
Width conveyor profile	86 mm
Height conveyor	80 mm
Radius conveyor chain on the drive and idler unit	70 mm
Max. permitted traction on the conveyor chain	1250 N
Weight conveyor	≈ 7 kg/m **
Recommended maximum load on conveyor	≈ 200 kg *
Recommended maximum load	≈ 20 kg/m *
Recommended maximum length of conveyor	≈ 20 m *
Recommended maximum speed	50 m/min
Minimum radius on plain bend	R 150 mm
Wheel curve radius	R 150 mm and R 200 mm
Vertical bend radius	R 400 mm and R 860 mm
Motor	0,18 - 0,55 kW
Noise level	< 70 dB (A)
Chain material	Acetal
Conveyor profile material	Stainless steel
* Recommended maximum length depends on the design, load and number of bends.	
** The weight of the conveyor depends on which type of chain, guide rail and guide rail bracket.	

Series 530

Conveyor profile S530

Stainless steel
Weight 2900 g/m
Length 2.48 m

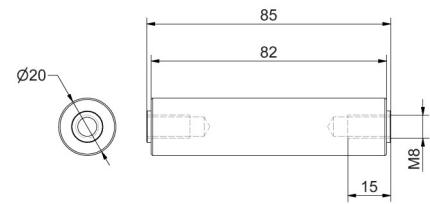
Part.no 530-1000



Spacer

For 530-1000
Stainless steel
Weight 200 g

Part.no 530-1030



Including stainless steel fasteners
Part.no 530-1035

Series 530

Conveyor chain S830

Acetal, nylon and stainless steel.

Standard version top flights are made of white acetal which is food approved
Allowed traction force 500 N.

On request, chain and top flight can be delivered in non-standard material.
Enter the following additional letter.

L = Low friction

V = Heat resistance

A = Antistatic

F = Flocked

Order example 830-2000L

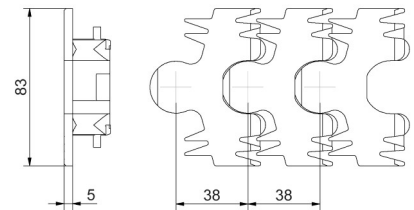
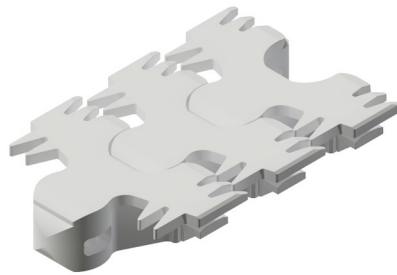
Finger chain

Slat standard chain for S620 and S520

Weight 1420 g/m

Qty 27 pcs/m

Part.no 830-2000



Link for standard chain

Weight 18 g

Part.no 830-2001

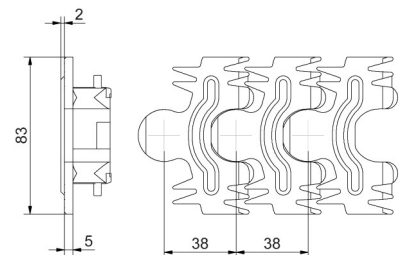
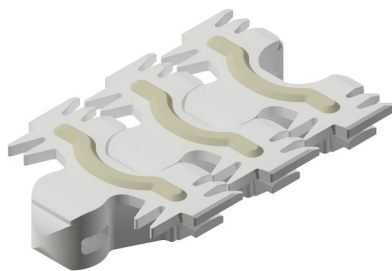
Finger chain friction

Standard chain with friction for S620
and S520

Weight 1440 g/m

Qty 27 pcs/m

Part.no 830-2010



Link for friction chain

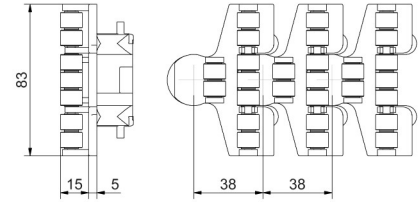
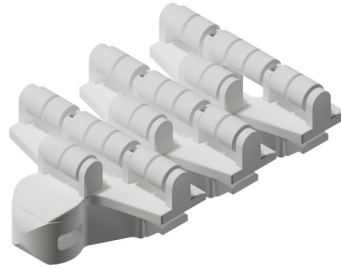
Weight 19 g

Part.no 830-2011

Series 530

Chain with rollers

For S830 and S530
Weight 2030 g/m
Qty 27 pcs/m

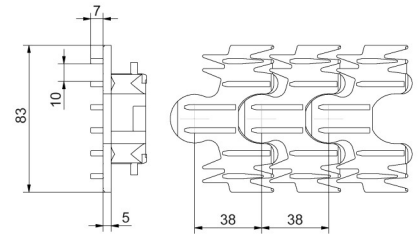
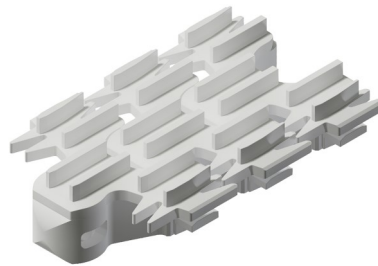


Part.no 830-2050

Top flight for roller chain
Weight 41 g
Part.no 830-2051

Rib chain

For S830 and S530
Weight 1550 g/m
Qty 27 pcs/m

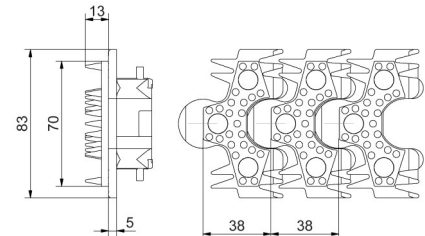
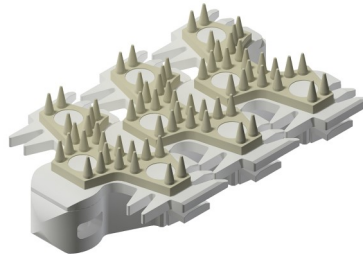


Part.no 830-2055

Top flight for rib chain
Weight 23 g
Part.no 830-2056

Friction chain

Friction chain with soft tip
For S830 and S530
Weight 1600 g/m
Qty 27 pcs/m



Part.no 830-2110

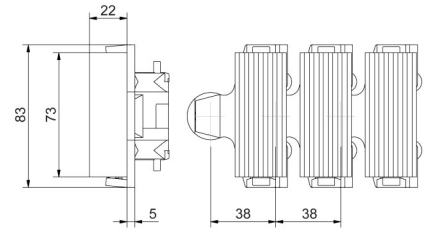
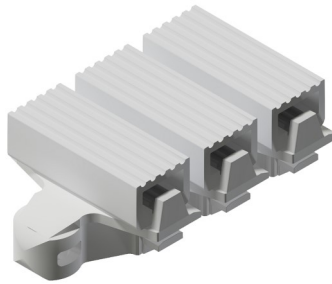
Top flight for friction chain with soft tip
Weight 27 g
Part.no 830-2111

Series 530

Side grip chain

For S830 and S530
Weight 2260 g/m
Qty 27 pcs/m

Part.no 830-2120

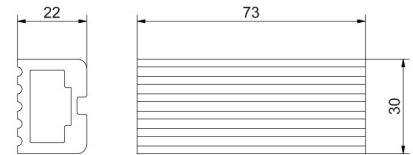
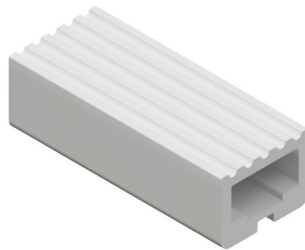


Top flight for side grip chain
Weight 48 g
Part.no 830-2121

Rubber block

Rubber block for chain 830-2120
White TPE
Weight 25 g

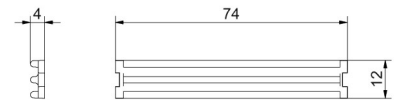
Part.no 830-2122



Locking rail

Locking rail for 830-2122
Black reinforced nylon
Weight 4 g

Part.no 830-2123

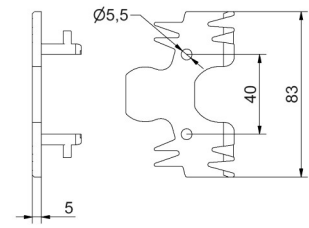
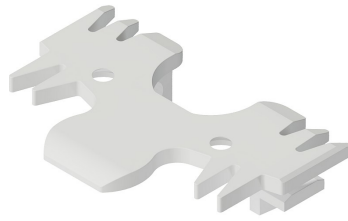


Series 530

Top flight for carrier

For S830 and S530
Weight 20 g

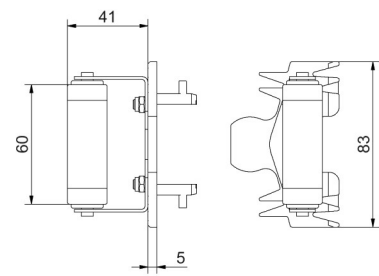
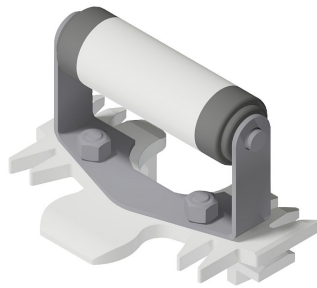
Part.no 830-2075



Top flight with carrier

For S830 and S530
Weight 75 g

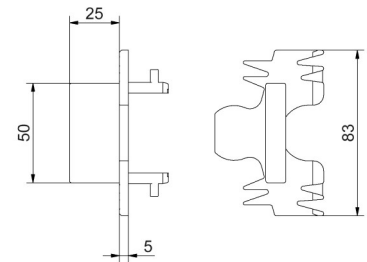
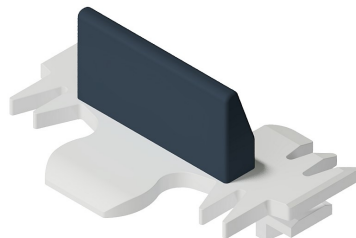
Part.no 830-2079



Top flight with carrier

For S830 and S530
Weight 33 g

Part.no 830-2081



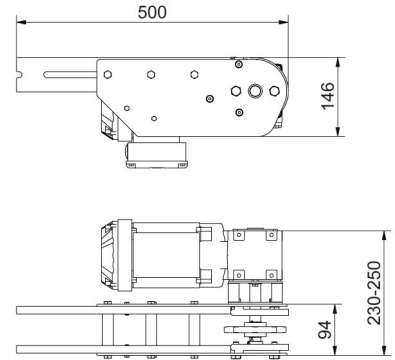
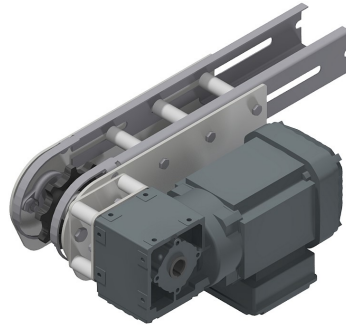
Series 530

530-30

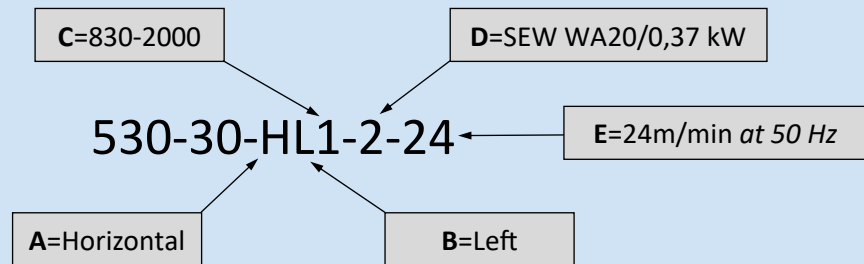
Drive unit with direct transmission S620.
IP55 and stainless steel hollow shaft.
Configuration of default drive with direct transmission **530-30-ABC-D-E**.

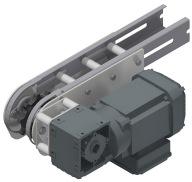
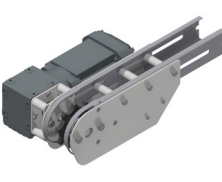

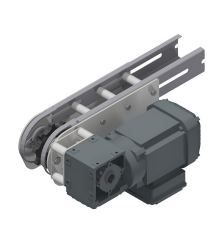
If needed, roller transfers and brackets can be found on page 60.

Weight without motor 6300 g
Weight with motor 13300-19300 g



Order example



A: <u>Assembly position</u>	B: <u>Placement</u>	C: <u>Conveyor chain</u>	D: <u>Motor/gear</u> <u>Power</u>	E: <u>Speed m/min</u> <u>at 50 Hz</u>
H: Horizontal 	R: Right 	1: 830-2000 830-2010	1: SEW WA20 0,25 kW	8 18 34 10 20 47 12 25 15 29
		2: 830-2081		2: SEW WA20 0,37 kW
V: Vertical 	L: Left 	3: 830-2055 830-2079 830-2110	3: SEW WA30 0,37 kW	6 15 30 8 18 34 10 20 48 12 25
		4: 830-2050		4: SEW WA30 0,55 kW
				W Without motor/gear. Assembly position and shaft prepared for selected placement. More options →

Series 530

Cont. 530-30

D: <u>Motor/gear</u> <u>Power</u>	E: <u>Speed m/min</u> <u>at 50 Hz</u>		
5: SEW SA37 0,37 kW	8 10 13 16	19 25 27 31	36
6: Lenze G500-B45 0,18 kW	13 15 17 19	21 25 28 31	36 41 45
7: Lenze G500-B110 0,18 kW	8 10 12 15	19 21 25 33	38 41
8: Lenze G500-B45 0,25 kW	19 22 25 28	32 36 41 46	
9: Lenze G500-B110 0,25 kW	11 12 15 19	21 25 27 31	38 42 46
10: Lenze G500-B45 0,37 kW	28 32 37 42	47	

D: <u>Motor/gear</u> <u>Power</u>	E: <u>Speed m/min</u> <u>at 50 Hz</u>		
11: Lenze G500-B110 0,37 kW	11 13 16 20	22 25 28 32	34 39 43 47
12: Lenze G500-B45 0,55 kW	26 28 32 37	42 47	
13: Lenze G500-B110 0,55 kW	17 20 22 25	28 31 39 43	47
14: Lenze Smart Motor G500-B45 max 0,47 kW	Adjustable speed 6-31 m/min		
15: Lenze Smart Motor G500-B45 max 0,47 kW	Adjustable speed 10-50 m/min		
	W Without motor/gear. Assembly position and shaft prepared for selected place- ment.		

If needed, roller transfers and brackets can be found on page 60.

Series 530

Cont. 530-30

Bracket for roller transfer and connecting strip between conveyors

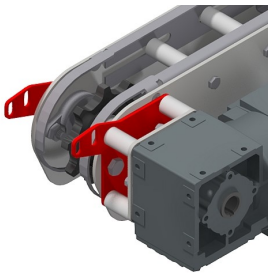
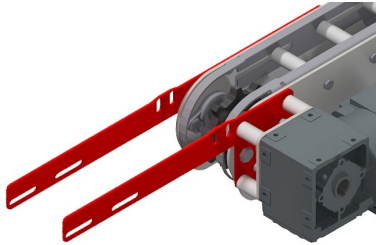
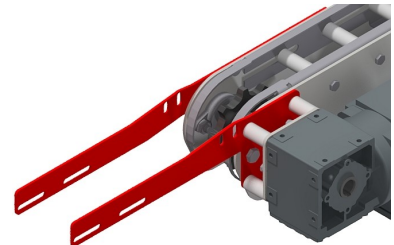
The following configuration is listed on order number 530-30-ABC-D-E- **with one additional letter.**

A = 500-3117R/L and 500-7112.

B = 500-3119R/L and 500-7120.

C = 500-3118R/L and 500-7130, 7 mm level difference.

Order example: 530-30-HL1-2-24-A

A**B****C**

Bracket for roller transfer and connecting strip including roller transfer

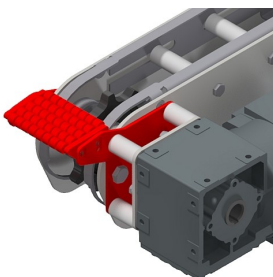
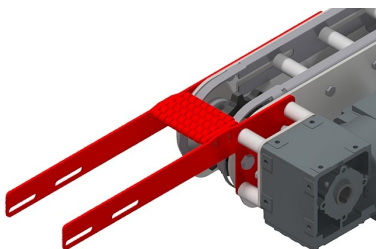
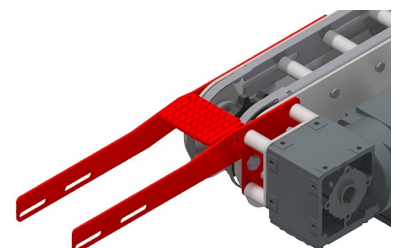
The following configuration is listed on the existing order number 530-30-ABC-D-E- **with two extra letters.**

AR = 500-3117R/L, 500-7112 and 500-7010.

BR = 500-3119R/L, 500-7120 and 500-7010.

CR = 500-3118R/L, 500-7130 and 500-7010, 7 mm level difference.

Order example: 530-30-HL1-2-24-AR

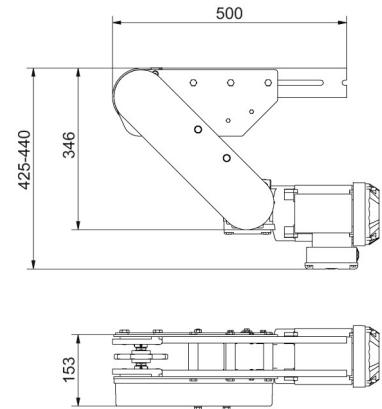
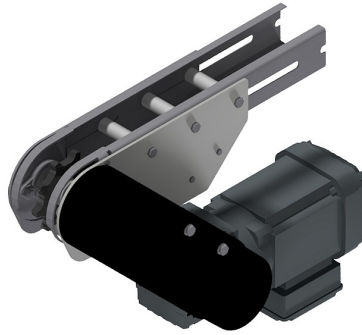
AR**BR****CR**

Series 530

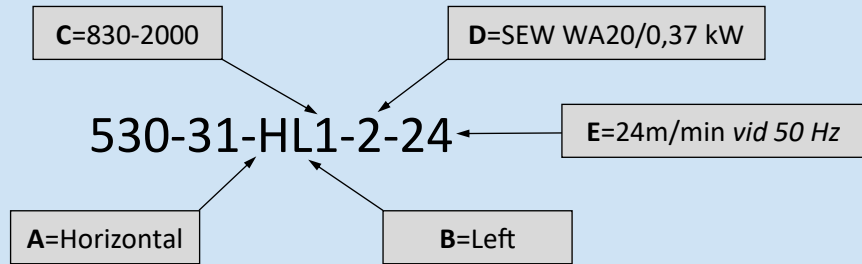
530-31

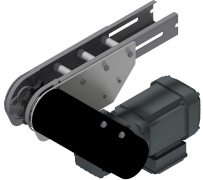
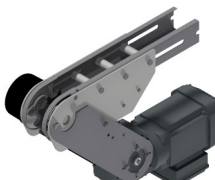

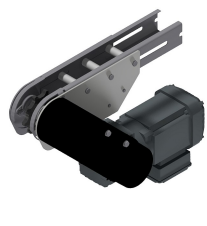
Drive unit with suspended motor with timing belt transmission S530. IP55 and stainless steel hollow shaft. Configuration of default drive unit **530-31-ABC-D-E**.

If needed, roller transfers and brackets can be found on page 63.



Order example



A: <u>Assembly position</u>	B: <u>Placement</u>	C: <u>Conveyor chain</u>	D: <u>Motor/gear</u> <u>Power</u>	E: <u>Speed m/min</u> <u>at 50 Hz</u>
H: Horizontal 	R: Right 	1: 830-2000 830-2010	1: SEW WA20 0,25 kW	8 18 34 10 20 47 12 25 15 29
		2: 830-2081		2: SEW WA20 0,37 kW
V: Vertical 	L: Left 	3: 830-2055 830-2079 830-2110	3: SEW WA30 0,37 kW	6 15 30 8 18 34 10 20 48 12 25
		4: 830-2050		4: SEW WA30 0,55 kW
				W Without motor/gear. Assembly position and shaft prepared for selected place- ment. More options →

Series 530

Forts. 530-31

D: <u>Motor/gear</u> <u>Power</u>	E: <u>Speed m/min</u> <u>at 50 Hz</u>		
5: SEW SA37 0,37 kW	8 10 13 16	19 25 27 31	36
6: Lenze G500-B45 0,18 kW	13 15 17 19	21 25 28 31	36 41 45
7: Lenze G500-B110 0,18 kW	8 10 12 15	19 21 25 33	38 41
8: Lenze G500-B45 0,25 kW	19 22 25 28	32 36 41 46	
9: Lenze G500-B110 0,25 kW	11 12 15 19	21 25 27 31	38 42 46
10: Lenze G500-B45 0,37 kW	28 32 37 42	47	

D: <u>Motor/gear</u> <u>Power</u>	E: <u>Speed m/min</u> <u>at 50 Hz</u>		
11: Lenze G500-B110 0,37 kW	11 13 16 20	22 25 28 32	34 39 43 47
12: Lenze G500-B45 0,55 kW	26 28 32 37	42 47	
13: Lenze G500-B110 0,55 kW	17 20 22 25	28 31 39 43	47
14: Lenze Smart Motor G500-B45 max 0,47 kW	Adjustable speed 6-31 m/min		
15: Lenze Smart Motor G500-B45 max 0,47 kW	Adjustable speed 10-50 m/min		
	W Without motor/gear. Assembly position and shaft prepared for selected place- ment.		

If needed, roller transfers and brackets can be found on page 63.

Series 530

Cont. 530-31

Bracket for roller transfer and connecting strip between conveyors

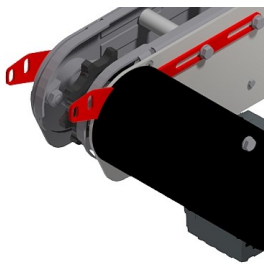
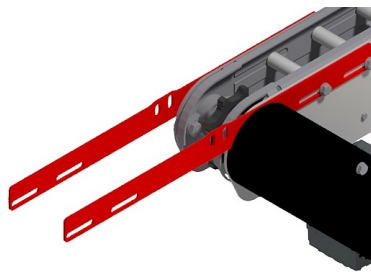
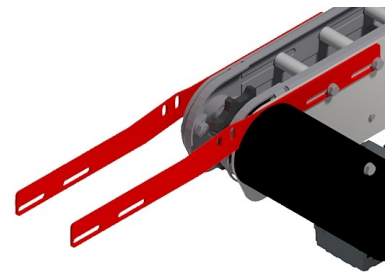
The following configuration is listed on order number 530-31-ABC-D-E- **with one additional letter.**

A = 500-7112.

B = 500-7120.

C = 500-7130, 7 mm level in difference.

Order example: 530-31-HL1-2-24-A

A**B****C**

Bracket for roller transfer and connecting strip including roller transfer

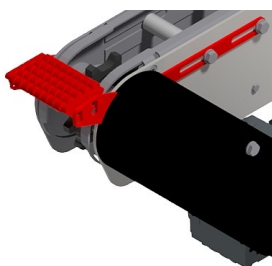
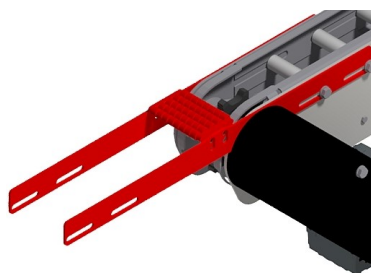
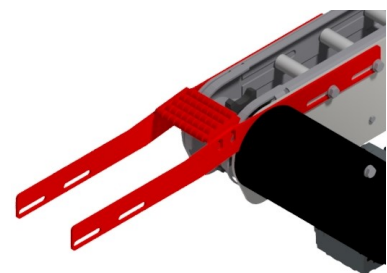
The following configuration is listed on the existing order number 530-31-ABC-D-E- **with two extra letters.**

AR = 500-7112 and 500-7010.

BR = 500-7120 and 500-7010.

CR = 500-7130 and 500-7010, 7 mm level in difference.

Order example: 530-31-HL1-2-24-AR

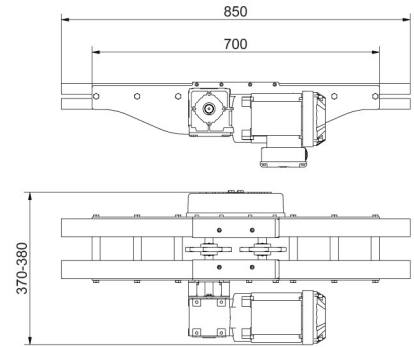
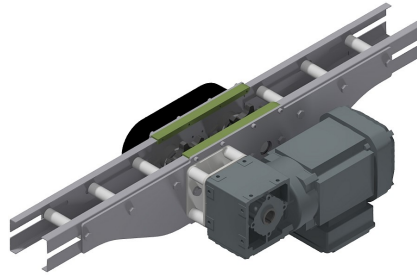
AR**BR****CR**

Series 530

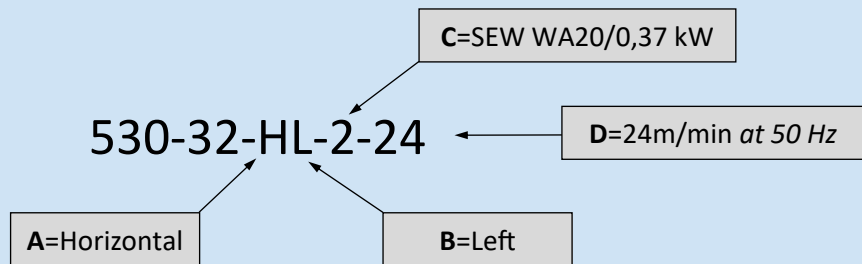
530-32

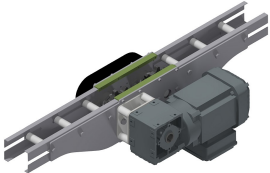
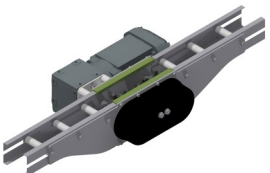
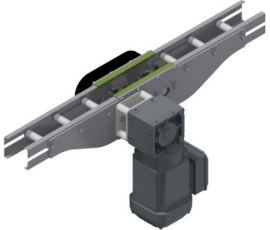
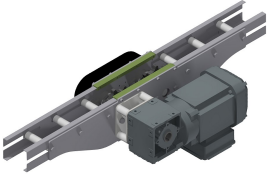
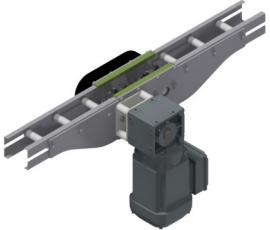
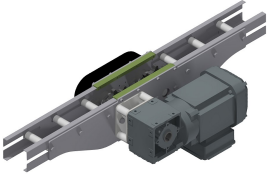
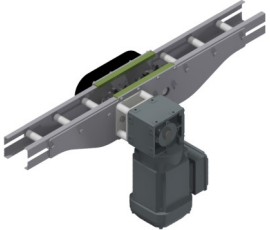
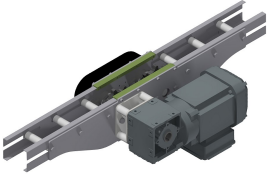
Drive unit with intermediate motor and returnchain S530.
IP55 and stainless steel hollow shaft.
Configuration of default drive unit
530-32-AB-C-D.

Use 530-4055 as front idler unit



Order example



A: <u>Assembly position</u>	B: <u>Placement</u>	C: <u>Motor/gear</u> <u>Power</u>	D: <u>Speed m/min</u> <u>at 50 Hz</u>		
H: Horizontal 	R: Right 	1: SEW WA20 0,25 kW	8	16	32
			10	18	44
V: Vertical 	L: Left 	2: SEW WA20 0,37 kW	12	23	
			15	27	
V: Vertical 	L: Left 	3: SEW WA30 0,37 kW	18	34	
			20	48	
V: Vertical 	L: Left 	4: SEW WA30 0,55 kW	25		
			30		
			W Without motor/gear. Assembly position and shaft prepared for selected place- ment. More options →		

Series 530

Cont. 530-32

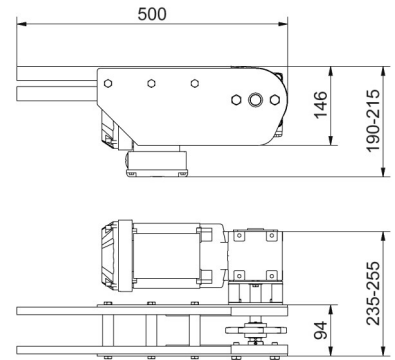
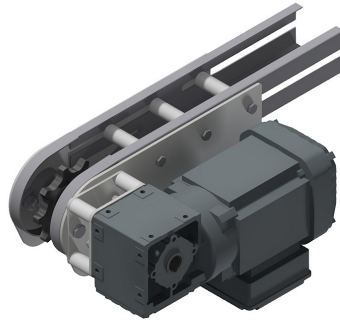
C: Motor/gear Power	D: Speed m/min at 50 Hz		
5: SEW SA37 0,37 kW	8 10 13 16	19 25 27 31	36
6: Lenze G500-B45 0,18 kW	13 15 17 19	21 25 28 31	36 41 45
7: Lenze G500-B110 0,18 kW	8 10 12 15	19 21 25 33	38 41
8: Lenze G500-B45 0,25 kW	19 22 25 28	32 36 41 46	
9: Lenze G500-B110 0,25 kW	11 12 15 19	21 25 27 31	38 42 46
10: Lenze G500-B45 0,37 kW	28 32 37 42	47	

C: Motor/gear Power	D: Speed m/min at 50 Hz		
11: Lenze G500-B110 0,37 kW	11 13 16 20	22 25 28 32	34 39 43 47
12: Lenze G500-B45 0,55 kW	26 28 32 37	42 47	
13: Lenze G500-B110 0,55 kW	17 20 22 25	28 31 39 43	47
14: Lenze Smart Motor G500-B45 max 0,47 kW	Adjustable speed 6-31 m/min		
15: Lenze Smart Motor G500-B45 max 0,47 kW	Adjustable speed 10-50 m/min		
	W Without motor/gear. Assembly position and shaft prepared for selected place- ment.		

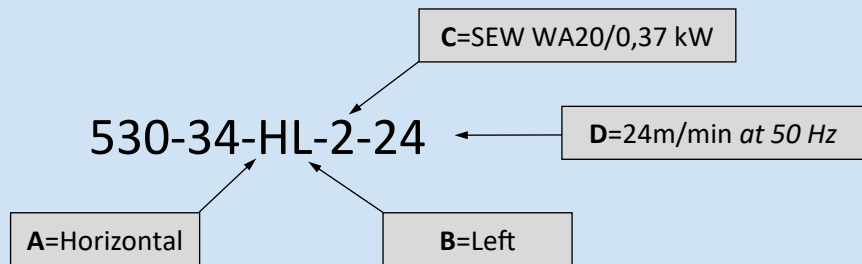
Series 530

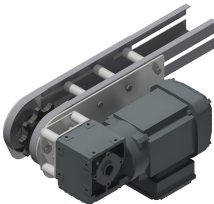


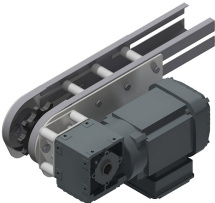
530-34

Drive unit for side grip conveyor S530.
IP55 and stainless steel hollow shaft.
Configuration of default drive unit
530-34-AB-C-D.



Order example



A: <u>Assembly position</u>	B: <u>Placement</u>	C: <u>Motor/gear</u> <u>Power</u>	D: <u>Speed m/min</u> <u>at 50 Hz</u>		
H: Horizontal 	R: Right 	1: SEW WA20 0,25 kW	8	18	34
			10	20	47
V: Vertical 	L: Left 	2: SEW WA20 0,37 kW	18	34	
			20	48	
		3: SEW WA30 0,37 kW	6	15	30
			8	18	34
		4: SEW WA30 0,55 kW	10	20	48
			12	25	
			15	34	
			18	48	
			20		
			30		
			W Without motor/gear. Assembly position and shaft prepared for selected place- ment. More options →		

Series 530

Cont. 530-34

C: Motor/gear Power	D: Speed m/min at 50 Hz		
5: SEW SA37 0,37 kW	8 10 13 16	19 25 27 31	36
6: Lenze G500-B45 0,18 kW	13 15 17 19	21 25 28 31	36 41 45
7: Lenze G500-B110 0,18 kW	8 10 12 15	19 21 25 33	38 41
8: Lenze G500-B45 0,25 kW	19 22 25 28	32 36 41 46	
9: Lenze G500-B110 0,25 kW	11 12 15 19	21 25 27 31	38 42 46
10: Lenze G500-B45 0,37 kW	28 32 37 42	47	

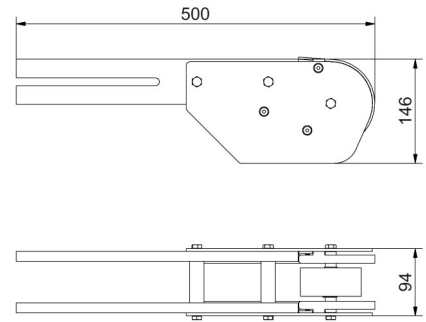
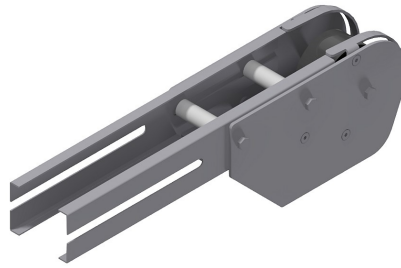
C: Motor/gear Power	D: Speed m/min at 50 Hz		
11: Lenze G500-B110 0,37 kW	11 13 16 20	22 25 28 32	34 39 43 47
12: Lenze G500-B45 0,55 kW	26 28 32 37	42 47	
13: Lenze G500-B110 0,55 kW	17 20 22 25	28 31 39 43	47
14: Lenze Smart Motor G500-B45 max 0,47 kW	Adjustable speed 6-31 m/min		
15: Lenze Smart Motor G500-B45 max 0,47 kW	Adjustable speed 10-50 m/min		
	W Without motor/gear. Assembly position and shaft prepared for selected place- ment.		

Series 530

Idler unit

Standard idler unit for S530
Weight 3900 g

Part.no 530-4000



Bracket for roller transfer and bracket including roller transfer

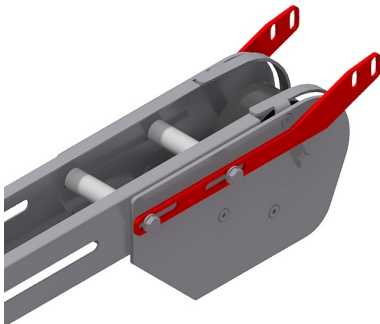
The following configuration is listed on the existing order number 530-4000- with one/or two additional letter.

A = 500-7111

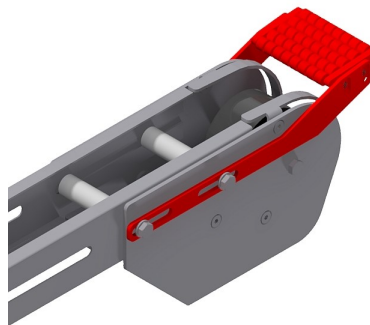
AR = 500-7111 and 500-7010

Order example: 530-4000-A

A



AR



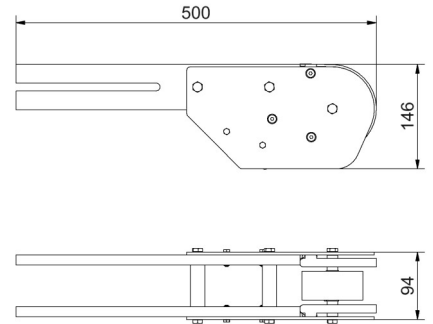
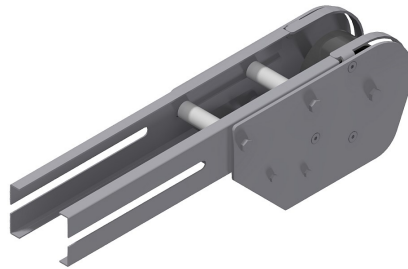
Series 530

Idler unit

Used as front idler unit for conveyor where drive unit 530-32 is included.
Configuration of idler unit

Part.no 530-4055-A

If needed, roller transfers and brackets can be found on page 70.



Order example

530-4055-1

A=830-2000

A:

Conveyor chain

1:	2:	3:	4:
830-2000 830-2010	830-2081	830-2055 830-2079 830-2110	830-2050

Series 530

Forts. 530-4055-A

Bracket for roller transfer and connecting strip between conveyors

The following configuration is listed on order number 530-4055-A- **with one additional letter**.

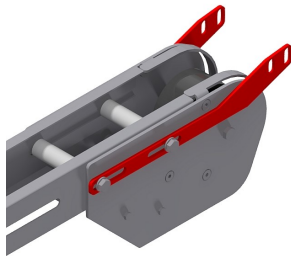
A = 500-7112.

B = 500-7120.

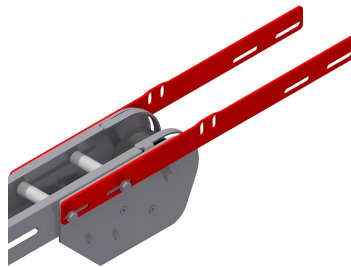
C = 500-7130, 7 mm level difference.

Order example: 530-4055-1-A

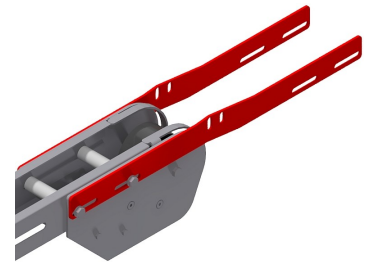
A



B



C



Bracket for roller transfer and connecting strip including roller transfer

The following configuration is listed on the existing order number 530-4055-A- **with two extra letters**.

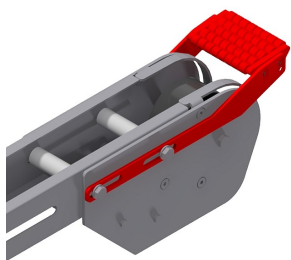
AR = 500-7112 and 500-7010.

BR = 500-7120 and 500-7010.

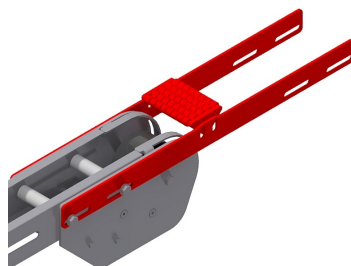
CR = 500-7130 and 500-7010, 7 mm level difference.

Order example: 530-4055-1-AR

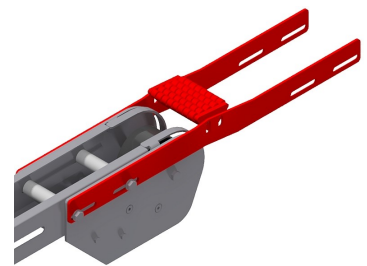
AR



BR



CR

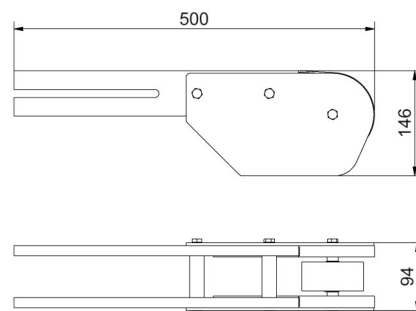
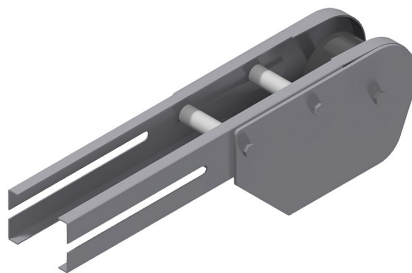


Series 530

Idler unit

Idler unit for side grip conveyor.
Used with 530-34.

Part.no 530-4010



Series 530

Wheel bend

Standard wheel bend S530 with R150 mm
Stainless steel and wheel in plastic

Configuration of default wheel bend
Part.no 530-5025-A

A= angle on bend

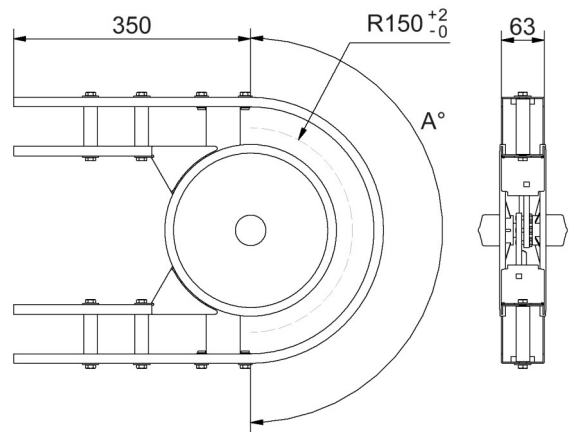
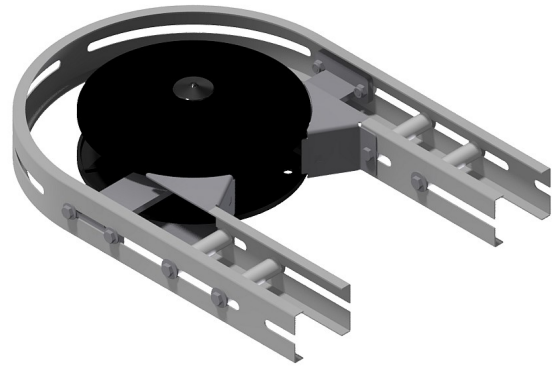
Standard angles for R150
A = 45°
A = 90°
A = 180°

Other angles are manufactured on request
Conneting strip 500-4320 is ordered separately

Order example

530-5025-45

A= 45°



Series 530

Wheel bend

Standard wheel bend S530 with R200 mm
Stainless steel and wheel in plastic

Configuration of default wheel bend
Part.no 530-5055-A

A= angle on bend

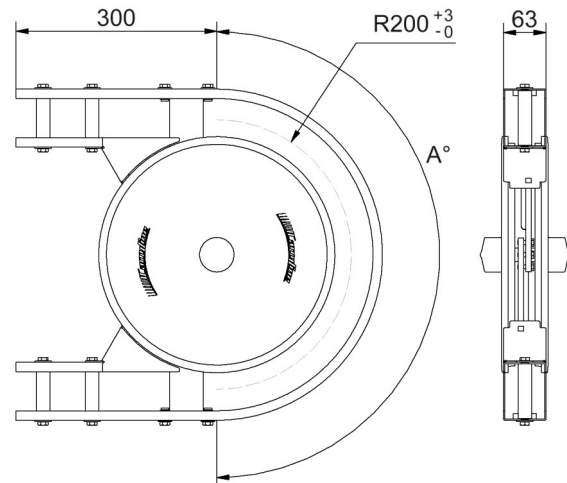
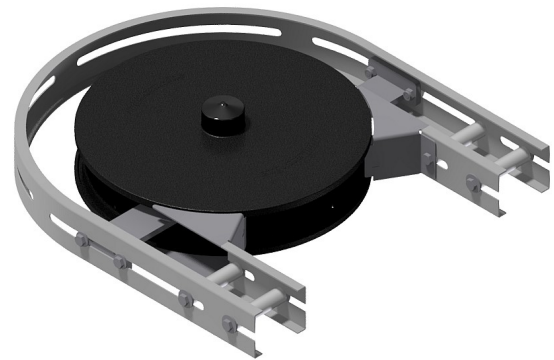
Standard angles for R200
A = 45°
A = 90°
A = 180°

Other angles are manufactured on request
Conneting strip 500-4320 is ordered separately

Order example

530-5055-45

A= 45°

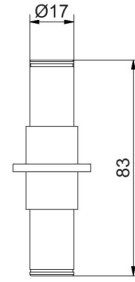


Series 530

Shaft

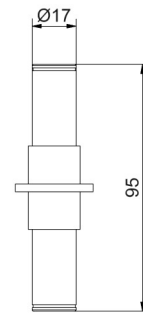
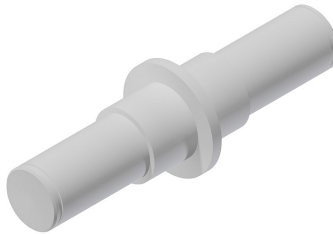
For wheel bend R150
Stainless steel
Weight 145 g

Part.no 14261_3

**Shaft**

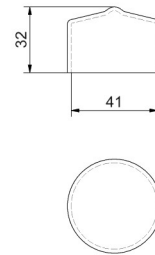
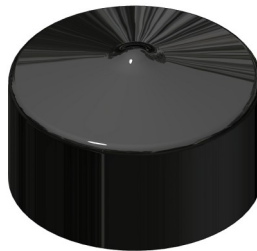
For wheel bend R200
Stainless steel
Weight 165 g

Part.no 14261_2

**Plastic cover**

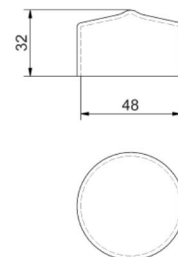
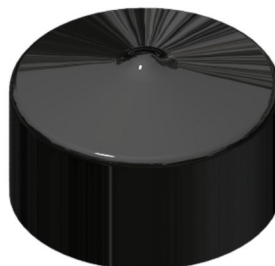
For disc $\text{Ø}252$
Black PVC
Weight 11 g

Part.no 830-5031

**Plastic cover**

For disc $\text{Ø}350$
Black PVC
Weight 15 g

Part.no 830-5062



Series 530

Disc

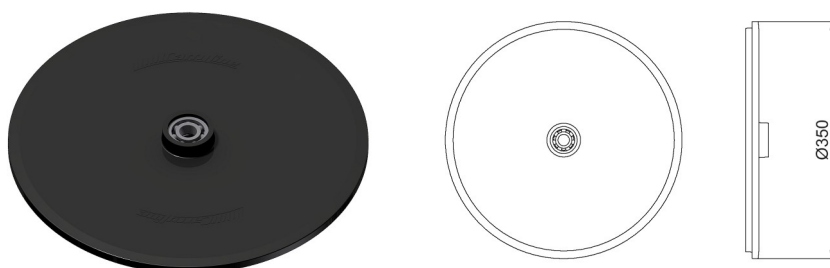
Upper disc for wheel bend R150
 Complete with bearing SS6203-2RS
 Black nylon
 Weight 335 g



Part.no 530-5027

Disc

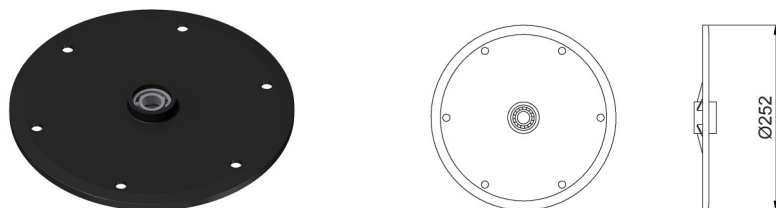
Upper disc for wheel bend R200
 Complete with bearing SS6203-2RS
 Black nylon
 Weight 825 g



Part.no 530-5060

Disc

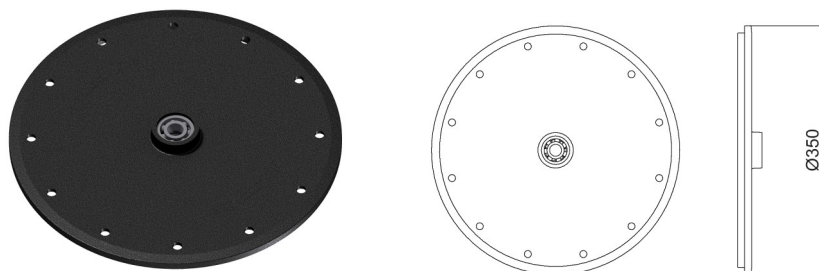
Lower disc for wheel bend R150
 Complete with bearing SS6203-2RS
 Black nylon
 Weight 320 g



Part.no 17589

Disc

Lower disc for wheel bend R200
 Complete with bearing SS6203-2RS
 Black nylon
 Weight 800 g



Part.no 17590

Series 530

Plain bend S530

Standard plain bend S530
Stainless steel

Plain bend configuration
Part.no 530-5375-A-B

A= bend radius

B= angle on bend

The following radius and angles are standard

A = Radius	B = Angle
200 mm	15°, 30°, 45°, 90°, 180°
300 mm	15°, 30°, 45°, 90°, 180°
400 mm	15°, 30°, 45°, 90°, 180°
500 mm	15°, 30°, 45°, 90°, 180°
600 mm	15°, 30°, 45°, 90°, 180°
900 mm	15°, 30°, 45°, 90°, 180°

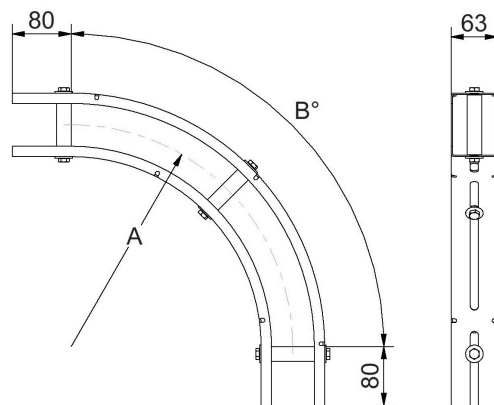
Other radius and angles are manufactured on request

Order example

530-5375-600-90

A= 600 mm

B= 90°



Series 530

Vertical bend

Standard vertical bend R400
Stainless steel

Vertical bend configuration
Part.no 530-5645-A

A= angle on bend

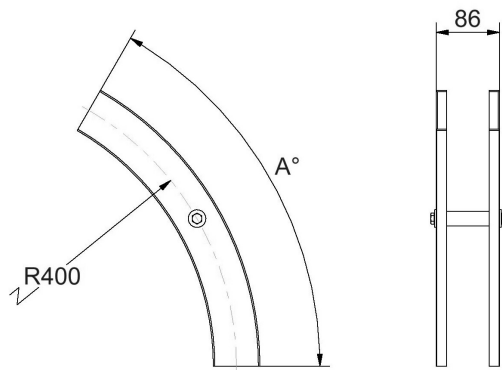
Standard angles for R400
A = 10°
A = 15°
A = 20°
A = 30°
A = 45°
A = 60°
A = 90°

Other radius and angles are manufactured on request
Minimum 10°

Order example

530-5645-45

A= 45°



Series 530

Vertical bend

Standard vertical bend R860
Stainless steel

Vertical bend configuration
Part.no 530-5695-A

A= angle on bend

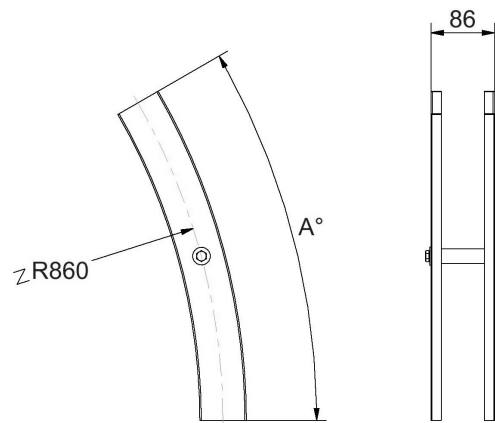
Standard angles for R860
A = 5°
A = 10°
A = 15°
A = 20°
A = 30°
A = 45°
A = 60°
A = 90°

Other radius and angles are manufactured on request
Minimum 5°

Order example

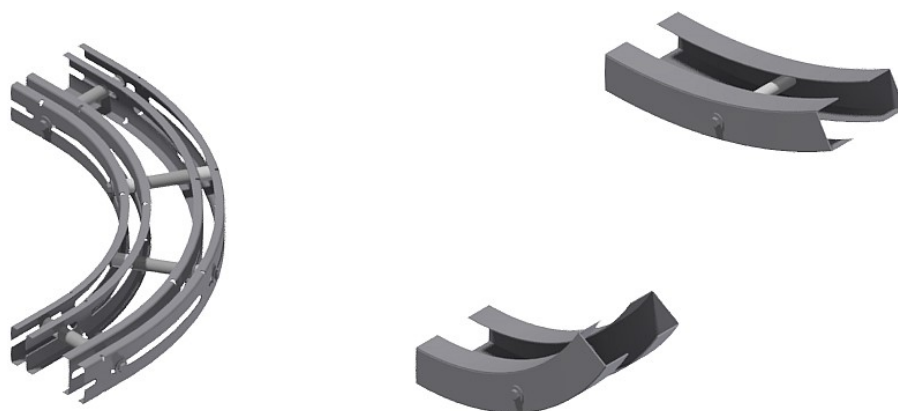
530-5695-45

A= 45°





S540



Series 540



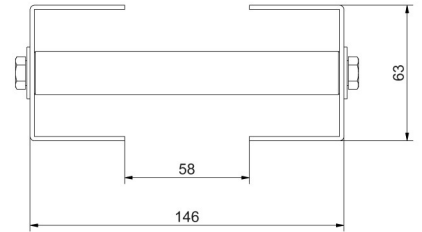
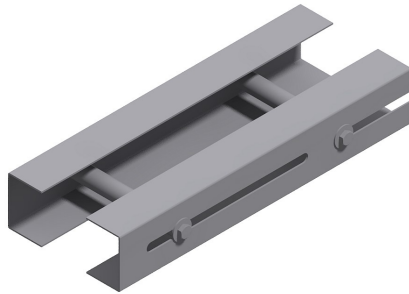
Technical specification S540	
Width of chain	140 mm
Chain pitch	38 mm
Width conveyor profile	141 mm
Height conveyor	80 mm
Radius conveyor chain on the drive and idler unit	70 mm
Max. permitted traction on the conveyor chain	1250 N
Weight conveyor	≈ 8 kg/m **
Recommended maximum load on conveyor	≈ 200 kg *
Recommended maximum load	≈ 20 kg/m *
Recommended maximum length of conveyor	≈ 20 m *
Recommended maximum speed	50 m/min
Minimum radius on plain bend	R 300 mm
Wheel curve radius	R 200 mm
Vertical bend radius	R 400 mm and R 860 mm
Motor	0,18 - 0,55 kW
Noise level	< 70 dB (A)
Chain material	Acetal
Conveyor profile material	Stainless steel
* Recommended maximum length depends on the design, load and number of bends.	
** The weight of the conveyor depends on which type of chain, guide rail and guide rail bracket.	

Series 540

Conveyor profile S540

Stainless steel
Weight 5150 g/m
Length 2.48 m

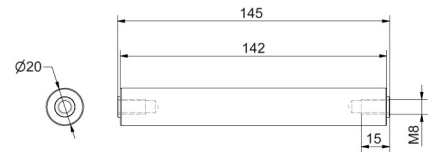
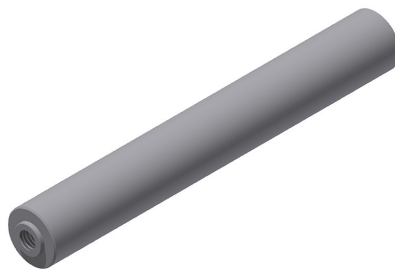
Part.no 540-1000



Spacer

For 540-1000
Stainless steel
Weight 350 g

Part.no 540-1030



Including stainless steel fasteners
Part.no 540-1035

Series 540

Conveyor chain S140

Acetal, nylon and stainless steel.

Standard version top flights are made of white acetal which is food approved

Allowed traction force 500 N.

On request, chain and top flight can be delivered in non-standard material.

Enter the following additional letter.

L = Low friction

V = Heat resistance

A = Antistatic

F = Flocked

Order example 140-2000L

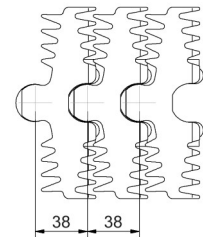
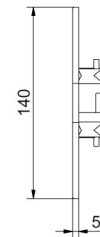
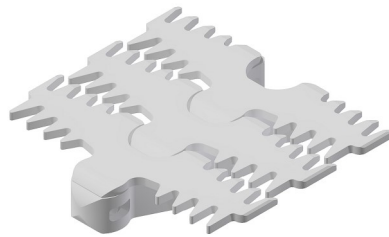
Finger chain

Slat standard chain for S140 and S540

Weight 1680 g/m

Qty 27 pcs/m

Part.no 140-2000



Top flight for standard chain

Weight 27 g

Part.no 140-2001

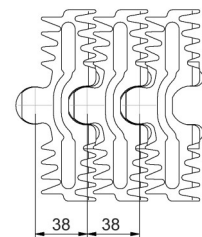
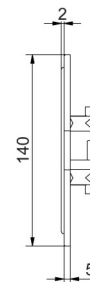
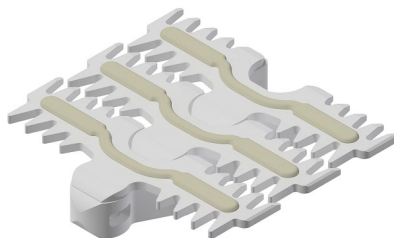
Finger chain friction

Standard chain with friction top flight for S140 och S540

Weight 1700 g/m

Qty 27 pcs/m

Part.no 140-2010



Top flight for friction chain

Weight 28 g

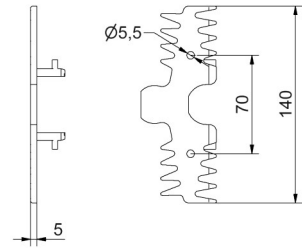
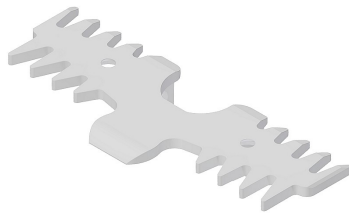
Part.no 140-2011

Series 540

Top flight for carrier

For S140 and S540
Weight 26 g

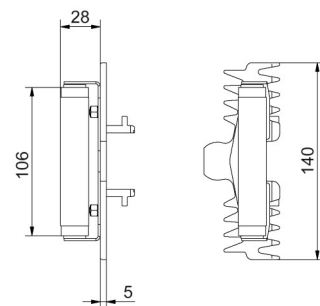
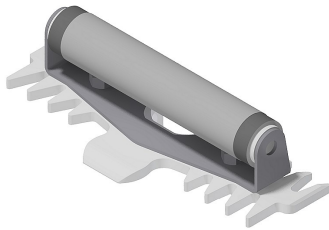
Part.no 140-2075



Top flight with roller carrier

For S140 and S540
Plastic roll with bearing and bracket in stainless steel
Weight 109 g

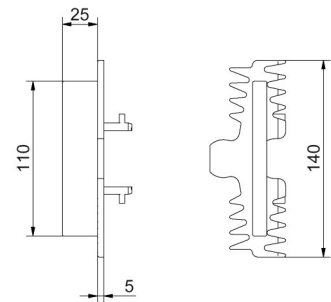
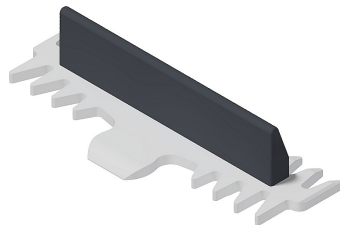
Part.no 140-2079



Top flight with carrier

For S140 and S540
Weight 47 g

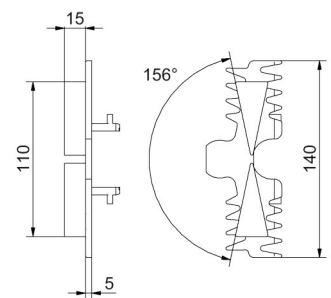
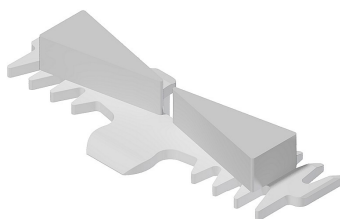
Part.no 140-2081



Top flight with carrier

For S140 and S540
Weight 50 g

Part.no 140-2179

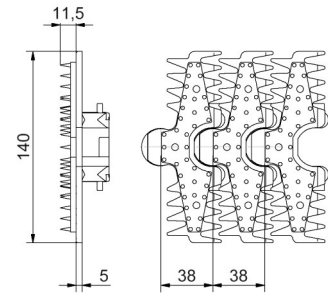
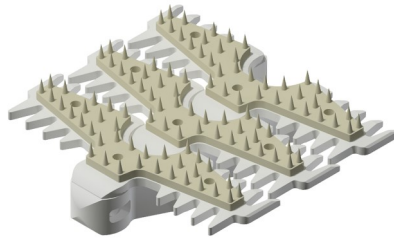


Series 540

Friction chain

Friction chain with soft tip
For S140 and S540
Weight 1,695 kg/m

Part.no 140-2110



Top flight for friction chain with soft tip
Weight 36 g
Part.no 140-2111

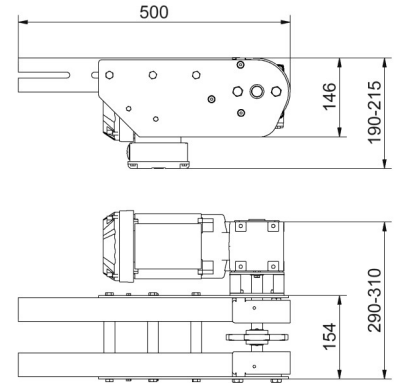
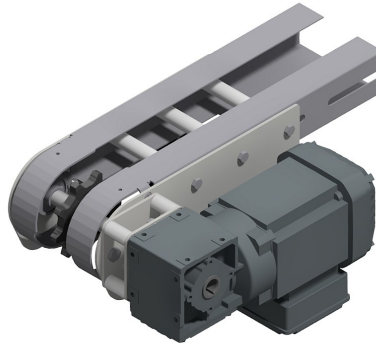
Series 540

540-30

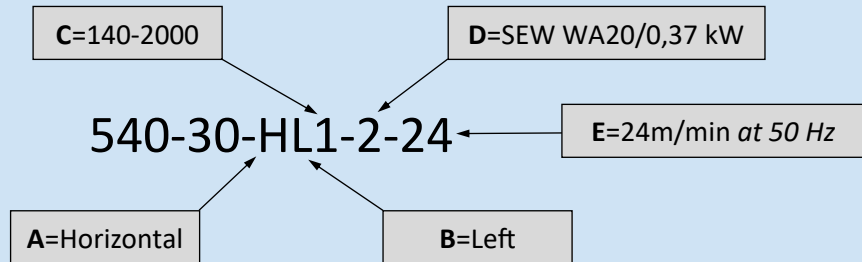
Drive unit with direct transmission S540.
IP55 and stainless steel hollow shaft.
Configuration of default drive with direct transmission **540-30-ABC-D-E**.

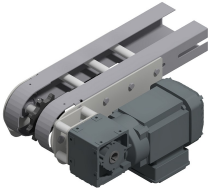


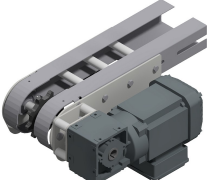
If needed, roller transfers and brackets can be found on page 87.

Weight without motor 8150 g
Weight with motor 15150-21150 g



Order example



A: <u>Assembly position</u>	B: <u>Placement</u>	C: <u>Conveyor chain</u>	D: <u>Motor/gear</u> <u>Power</u>	E: <u>Speed m/min</u> <u>at 50 Hz</u>
H: Horizontal 	R: Right 	1: 140-2000 140-2010	1: SEW WA20 0,25 kW	8 18 34 10 20 47 12 25 15 29
		2: 140-2081		2: SEW WA20 0,37 kW
V: Vertical 	L: Left 	3: 140-2079 140-2110 140-2179	3: SEW WA30 0,37 kW	6 15 30 8 18 34 10 20 48 12 25
		4: SEW WA30 0,55 kW		15 34 18 48 20 30
				W Without motor/gear. Assembly position and shaft prepared for selected place- ment. More options →

Series 540

Cont. 540-30

D: <u>Motor/gear</u> <u>Power</u>	E: <u>Speed m/min</u> <u>at 50 Hz</u>		
5: SEW SA37 0,37 kW	8 10 13 16	19 25 27 31	36
6: Lenze G500-B45 0,18 kW	13 15 17 19	21 25 28 31	36 41 45
7: Lenze G500-B110 0,18 kW	8 10 12 15	19 21 25 33	38 41
8: Lenze G500-B45 0,25 kW	19 22 25 28	32 36 41 46	
9: Lenze G500-B110 0,25 kW	11 12 15 19	21 25 27 31	38 42 46
10: Lenze G500-B45 0,37 kW	28 32 37 42	47	

D: <u>Motor/gear</u> <u>Power</u>	E: <u>Speed m/min</u> <u>at 50 Hz</u>		
11: Lenze G500-B110 0,37 kW	11 13 16 20	22 25 28 32	34 39 43 47
12: Lenze G500-B45 0,55 kW	26 28 32 37	42 47	
13: Lenze G500-B110 0,55 kW	17 20 22 25	28 31 39 43	47
14: Lenze Smart Motor G500-B45 max 0,47 kW	Adjustable speed 6-31 m/min		
15: Lenze Smart Motor G500-B45 max 0,47 kW	Adjustable speed 10-50 m/min		
	W Without motor/gear. Assembly position and shaft prepared for selected place- ment.		

If needed, roller transfers and brackets can be found on page 87.

Series 540

Cont. 540-30

Bracket for roller transfer and connecting strip between conveyors

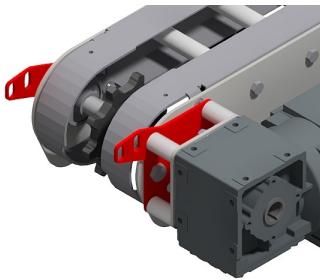
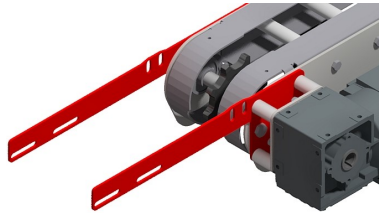
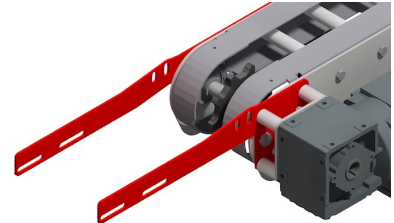
The following configuration is listed on order number 540-30-ABC-D-E- **with one additional letter.**

A = 500-3117L/R and 500-7112.

B = 500-3119L/R and 500-7120.

C = 500-3118L/R and 500-7130, 7 mm level difference.

Order example: 540-30-HL1-2-24-A

A**B****C**

Bracket for roller transfer and connecting strip including roller transfer

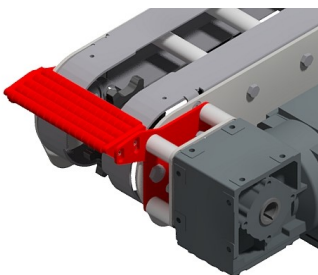
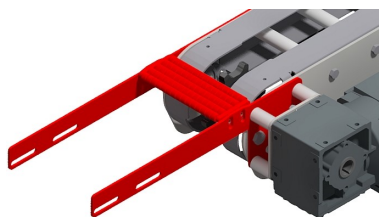
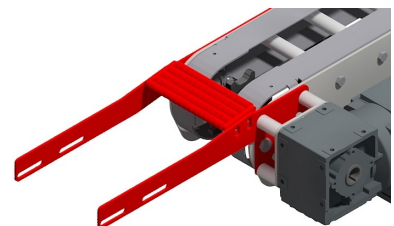
The following configuration is listed on the existing order number 540-30-ABC-D-E- **with two extra letters.**

AR = 500-3117R/L, 500-7112 and 500-7020.

BR = 500-3119R/L, 500-7120 and 500-7020.

CR = 500-3118R/L, 500-7130 and 500-7020, 7 mm level difference.

Order example: 540-30-HL1-2-24-AR

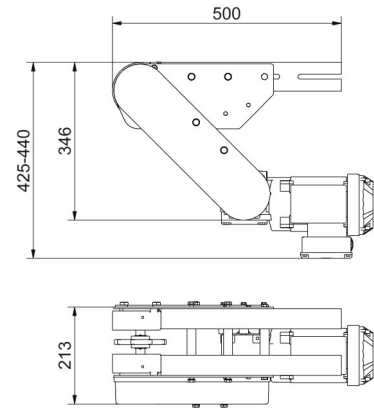
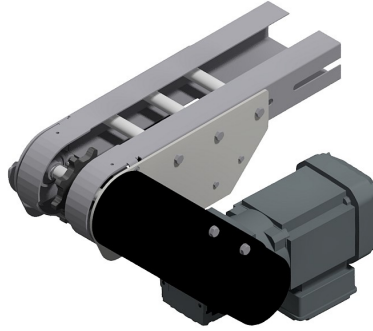
AR**BR****CR**

Series 540

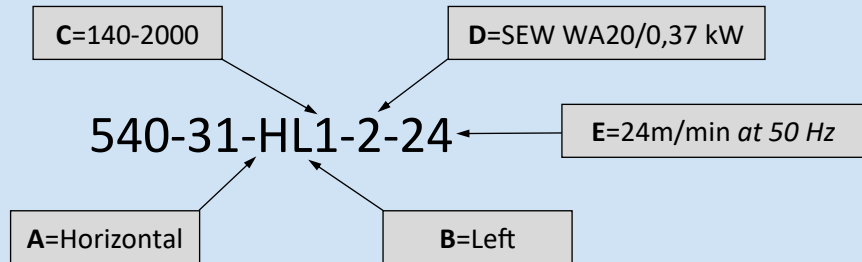
540-31

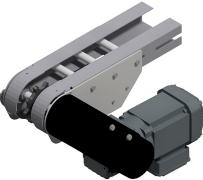
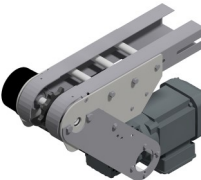

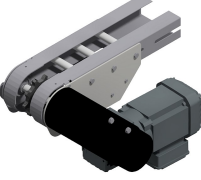
Drive unit with suspended motor with chain transmission S540.
IP55 and stainless steel hollow shaft.
Configuration of default drive unit
540-31-ABC-D-E.

If needed, roller transfers and brackets can be found on page 90.



Order example



A: <u>Assembly position</u>	B: <u>Placement</u>	C: <u>Conveyor chain</u>	-	D: <u>Motor/gear</u> <u>Power</u>	E: <u>Speed m/min</u> <u>at 50 Hz</u>
H: Horizontal 	R: Right 	1: 140-2000 140-2010	-	1: SEW WA20 0,25 kW	8 18 34 10 20 47 12 25 15 29
		2: 140-2081		2: SEW WA20 0,37 kW	18 34 20 48 25 30
V: Vertical 	L: Left 	3: 140-2079 140-2110 140-2179	-	3: SEW WA30 0,37 kW	6 15 30 8 18 34 10 20 48 12 25
				4: SEW WA30 0,55 kW	15 34 18 48 20 30
					W Without motor/gear. Assembly position and shaft prepared for selected place- ment. More options →

Series 540

Cont. 540-31

D: Motor/gear Power	E: Speed m/min at 50 Hz		
5: SEW SA37 0,37 kW	8 10 13 16	19 25 27 31	36
6: Lenze G500-B45 0,18 kW	13 15 17 19	21 25 28 31	36 41 45
7: Lenze G500-B110 0,18 kW	8 10 12 15	19 21 25 33	38 41
8: Lenze G500-B45 0,25 kW	19 22 25 28	32 36 41 46	
9: Lenze G500-B110 0,25 kW	11 12 15 19	21 25 27 31	38 42 46
10: Lenze G500-B45 0,37 kW	28 32 37 42	47	

D: Motor/gear Power	E: Speed m/min at 50 Hz		
11: Lenze G500-B110 0,37 kW	11 13 16 20	22 25 28 32	34 39 43 47
12: Lenze G500-B45 0,55 kW	26 28 32 37	42 47	
13: Lenze G500-B110 0,55 kW	17 20 22 25	28 31 39 43	47
14: Lenze Smart Motor G500-B45 max 0,47 kW	Adjustable speed 6-31 m/min		
15: Lenze Smart Motor G500-B45 max 0,47 kW	Adjustable speed 10-50 m/min		
	W Without motor/gear. Assembly position and shaft prepared for selected place- ment.		

If needed, roller transfers and brackets can be found on page 90.

Series 540

Cont. 540-31

Bracket for roller transfer and connecting strip between conveyors

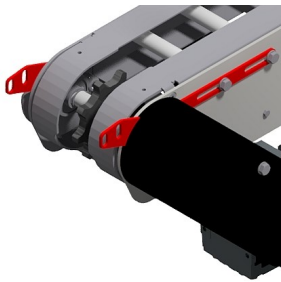
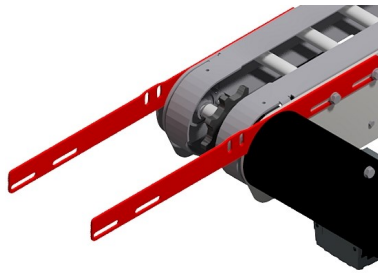
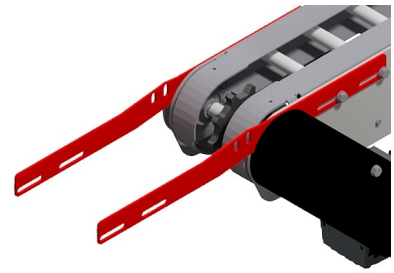
The following configuration is listed on order number 540-31-ABC-D-E- **with one additional letter.**

A = 500-7112.

B = 500-7120.

C = 500-7130, 7 mm level difference.

Order example: 540-31-HL1-2-24-A

A**B****C**

Bracket for roller transfer and connecting strip including roller transfer

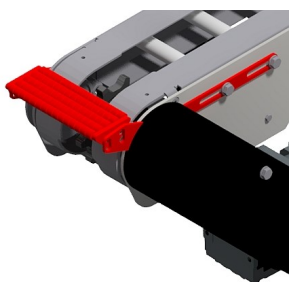
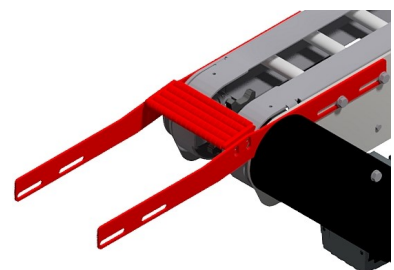
The following configuration is listed on the existing order number 540-31-ABC-D-E- **with two extra letters.**

AR = 500-7112 and 500-7020

BR = 500-7120 and 500-7020

CR = 500-7130 and 500-7020, 7 mm level difference.

Order example: 540-31-HL1-2-24-AR

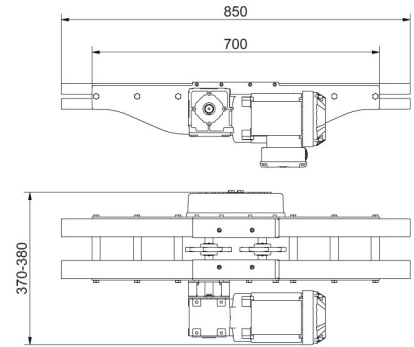
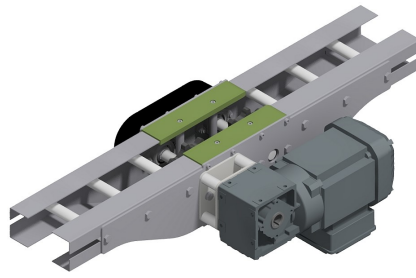
AR**BR****CR**

Series 540

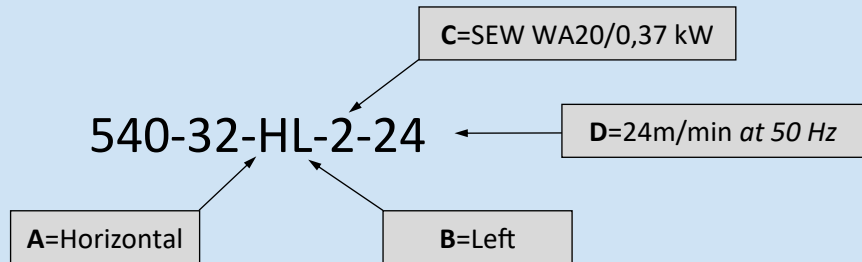
540-32

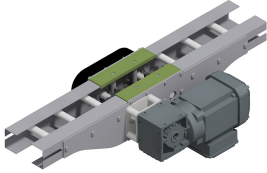
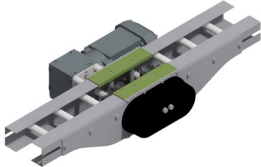
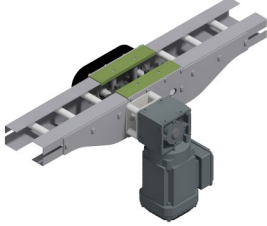
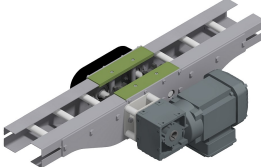
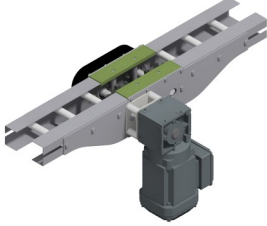
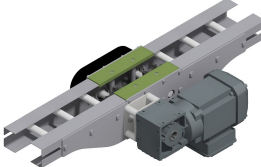
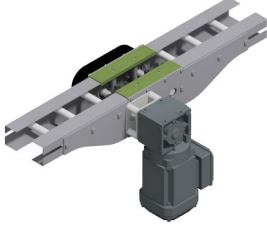
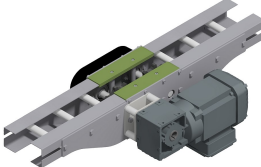
Drive unit with intermediate motor and returnchain S540.
IP55 and stainless steel hollow shaft.
Configuration of default drive unit
540-32-AB-C-D.

Use 540-4055 as front idler unit



Order example



A: <u>Assembly position</u>	B: <u>Placement</u>	C: <u>Motor/gear</u> <u>Power</u>	D: <u>Speed m/min</u> <u>at 50 Hz</u>		
H: Horizontal 	R: Right 	1: SEW WA20 0,25 kW	8	18	34
			10	20	47
V: Vertical 	L: Left 	2: SEW WA20 0,37 kW	12	25	
			15	29	
V: Vertical 	L: Left 	3: SEW WA30 0,37 kW	18	34	
			20	48	
V: Vertical 	L: Left 	4: SEW WA30 0,55 kW	25		
			30		
			W Without motor/gear. Assembly position and shaft prepared for selected place- ment. More options →		

Series 540

Cont. 540-32

C: Motor/gear Power	D: Speed m/min at 50 Hz		
5: SEW SA37 0,37 kW	8 10 13 16	19 25 27 31	36
6: Lenze G500-B45 0,18 kW	13 15 17 19	21 25 28 31	36 41 45
7: Lenze G500-B110 0,18 kW	8 10 12 15	19 21 25 33	38 41
8: Lenze G500-B45 0,25 kW	19 22 25 28	32 36 41 46	
9: Lenze G500-B110 0,25 kW	11 12 15 19	21 25 27 31	38 42 46
10: Lenze G500-B45 0,37 kW	28 32 37 42	47	

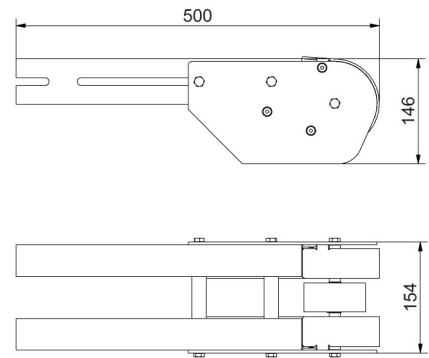
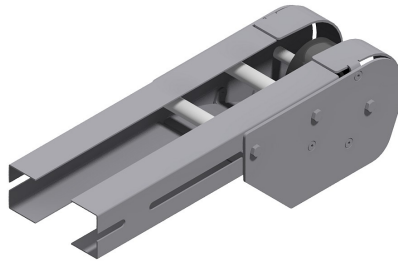
C: Motor/gear Power	D: Speed m/min at 50 Hz		
11: Lenze G500-B110 0,37 kW	11 13 16 20	22 25 28 32	34 39 43 47
12: Lenze G500-B45 0,55 kW	26 28 32 37	42 47	
13: Lenze G500-B110 0,55 kW	17 20 22 25	28 31 39 43	47
14: Lenze Smart Motor G500-B45 max 0,47 kW	Adjustable speed 6-31 m/min		
15: Lenze Smart Motor G500-B45 max 0,47 kW	Adjustable speed 10-50 m/min		
	W Without motor/gear. Assembly position and shaft prepared for selected place- ment.		

Series 540

Idler unit

Standard idler unit for S540
Vikt 5600 g

Part.no 540-4000



Bracket for roller transfer and bracket including roller transfer

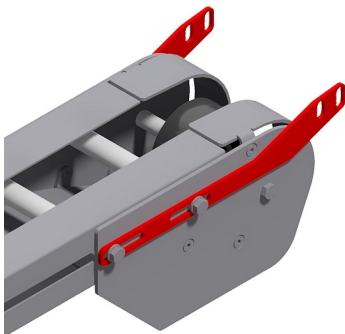
The following configuration is listed on the existing order number 540-4000- with **one/or two additional letter**.

A = 500-7111

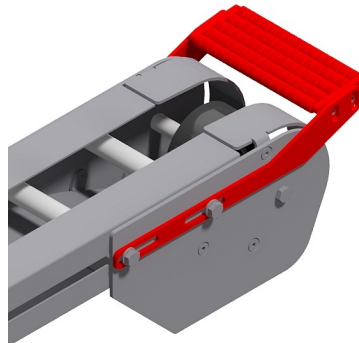
AR = 500-7111 and 500-7020

Order example: 540-4000-A

A



AR



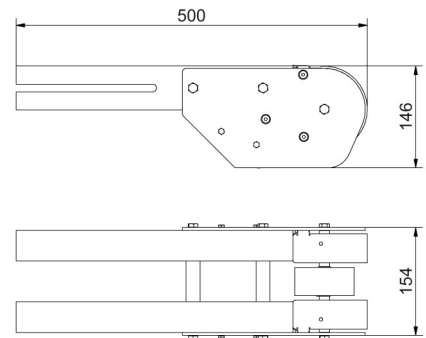
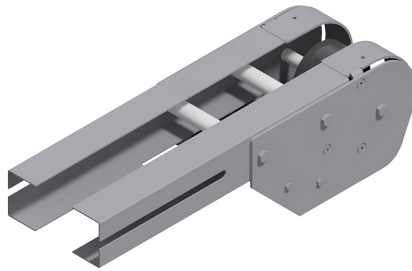
Series 540

Idler unit

Used as front idler unit for conveyor where drive unit 540-32 is included.
Configuration of idler unit

Part.no 540-4055-A.

If needed, roller transfers and brackets can be found on page 95.



Order example

540-4055-1

A=140-2000

A:

Conveyor chain

1:	2:	3:
140-2000 140-2010	140-2081	140-2079 140-2110 140-2179

Series 540

Cont. 540-4055-A

Bracket for roller transfer and connecting strip between conveyors

The following configuration is listed on order number 540-4055-A- **with one additional letter**.

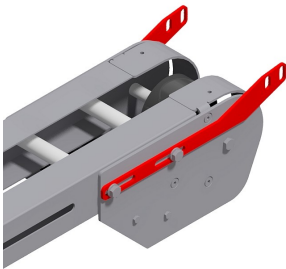
A = 500-7112.

B = 500-7120.

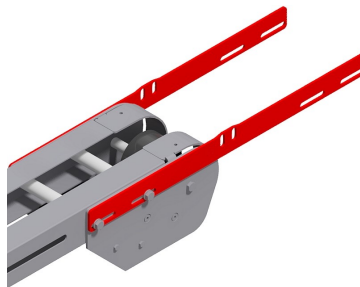
C = 500-7130, 7 mm level difference.

Order example: 540-4055-1-A

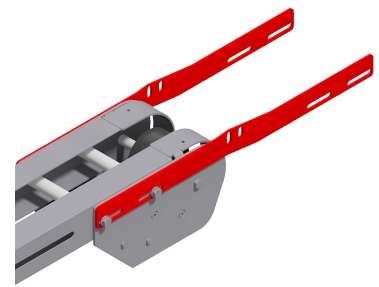
A



B



C



Bracket for roller transfer and connecting strip including roller transfer

The following configuration is listed on the existing order number 540-4055-A- **with two extra letters**.

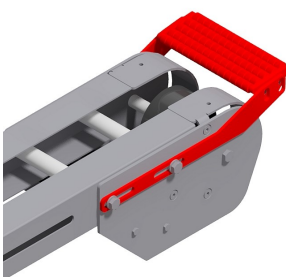
AR = 500-7112 and 500-7020.

BR = 500-7120 and 500-7020.

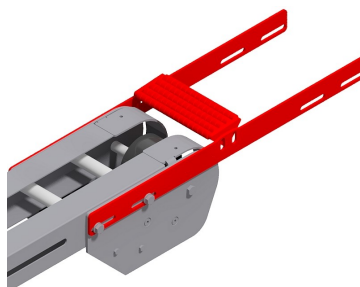
CR = 500-7130 and 500-7020, 7 mm level difference.

Order example: 540-4055-1-AR

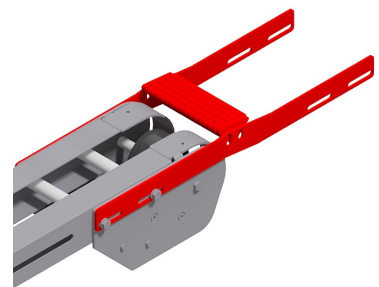
AR



BR



CR



Series 540

Wheel bend

Standard wheel bend S540 whit R200 mm
Stainless steel and wheel in plastic

Configuration of default wheel bend
Part.no 540-5055-A

A= angle on bend

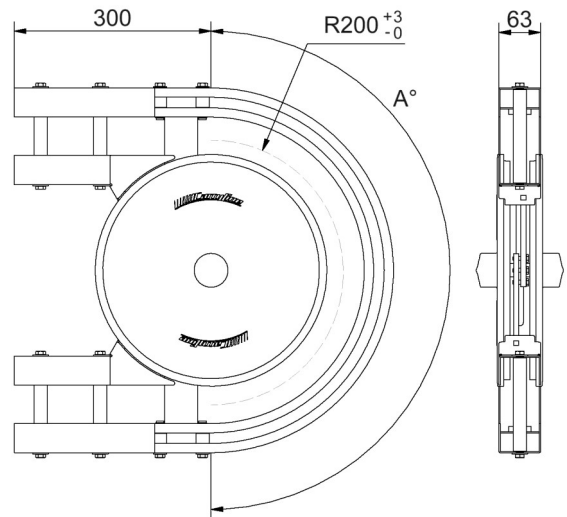
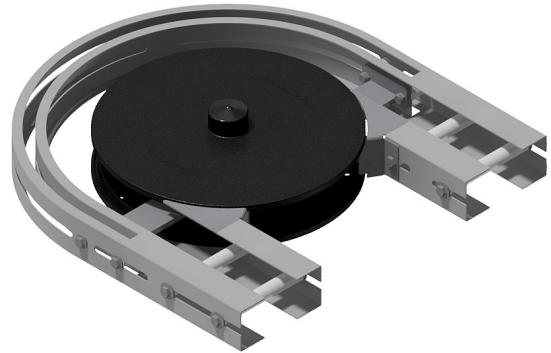
Standard angles for R200
A = 45°
A = 90°
A = 180°

Other angles are manufactured on request
Conneting strip 500-4320 is ordered separately

Order example

540-5055-45

A= 45°

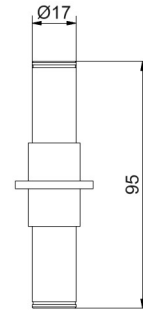


Series 540

Shaft

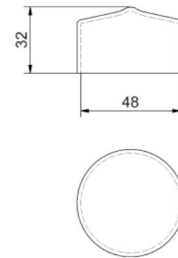
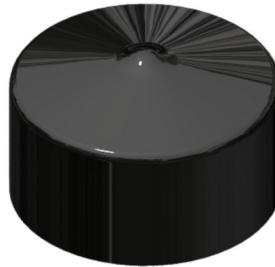
For wheel bend R200
Stainless steel
Weight 165 g

Part.no 14261_2

**Plastic cover**

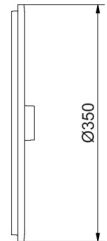
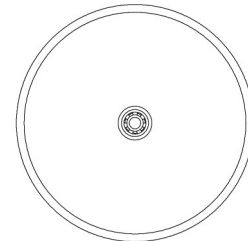
For disc Ø350
Black PVC
Weight 15 g

Part.no 830-5062

**Disc**

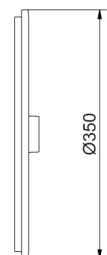
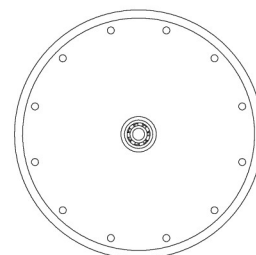
Upper disc for wheel bend R191
Complete with bearing SS6203-2RS
Black nylon
Weight 825 g

Part.no 530-5060

**Disc**

Lower disc for wheel bend R200
Complete with bearing SS6203-2RS
Black nylon
Weight 800 g

Part.no 17590



Series 540

Plain bend

Standard plain bend S540
Stainless steel

Plain bend configuration
Part.no 540-5375-A-B

A= bend radius
B= angle on bend
The following radius and angles are standard

A = Radius	B = Angle
300 mm	15°, 30°, 45°, 90°, 180°
400 mm	15°, 30°, 45°, 90°, 180°
600 mm	15°, 30°, 45°, 90°, 180°
900 mm	15°, 30°, 45°, 90°, 180°

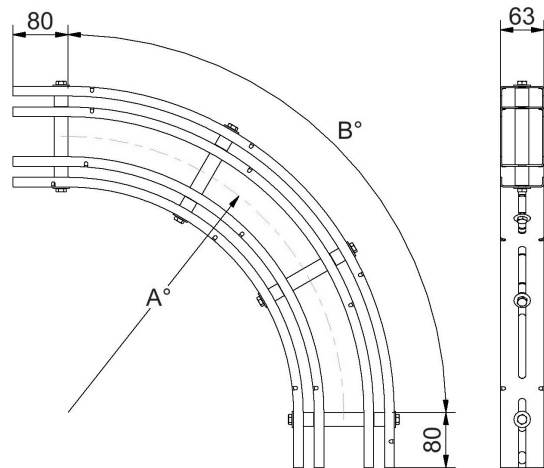
Other radius and angles are manufactured on request

Order example

540-5375-600-90

A= 600 mm

B= 90°



Series 540

Vertical bend

Standard vertical bend R400
Stainless steel

Vertical bend configuration
Part.no 540-5645-A

A= angle on bend

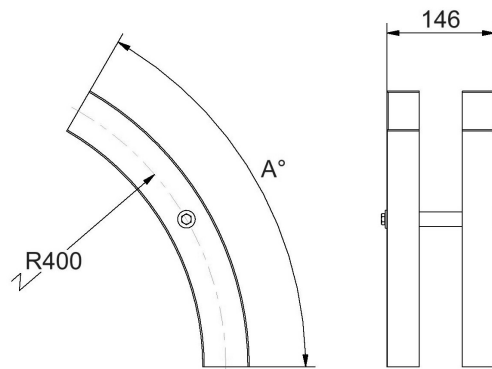
Standard angles for R400
A = 10°
A = 15°
A = 20°
A = 30°
A = 45°
A = 60°
A = 90°

Other radius and angles are manufactured on request
Minimum 10°

Order example

540-5645-45

A= 45°



Series 540

Vertical bend

Standard vertical bend R860
Stainless steel

Vertical bend configuration
Part.no 540-5695-A

A= angle on bend

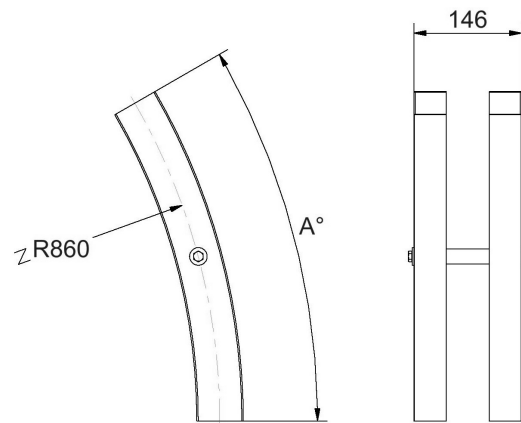
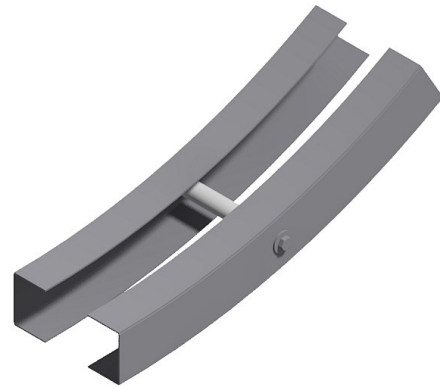
Standard angles for R860
A = 5°
A = 10°
A = 15°
A = 20°
A = 30°
A = 45°
A = 60°
A = 90°

Other radius and angles are manufactured on request
Minimum 5°

Order example

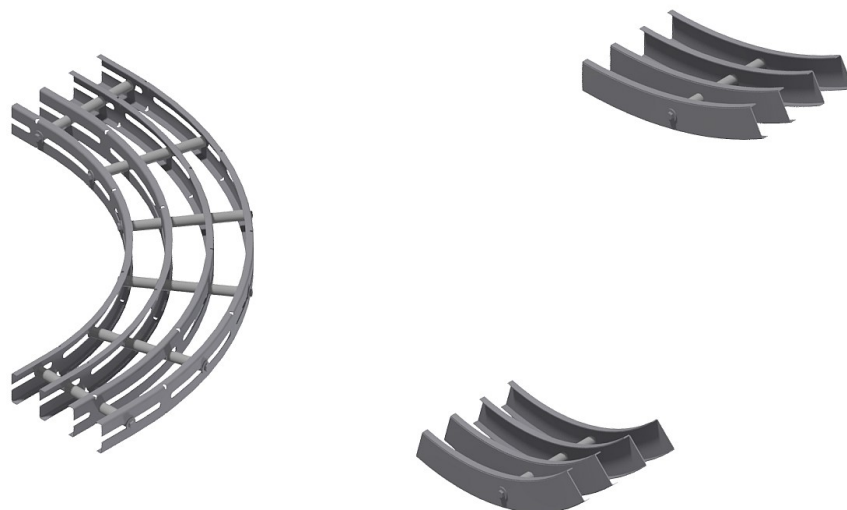
540-5695-45

A= 45°

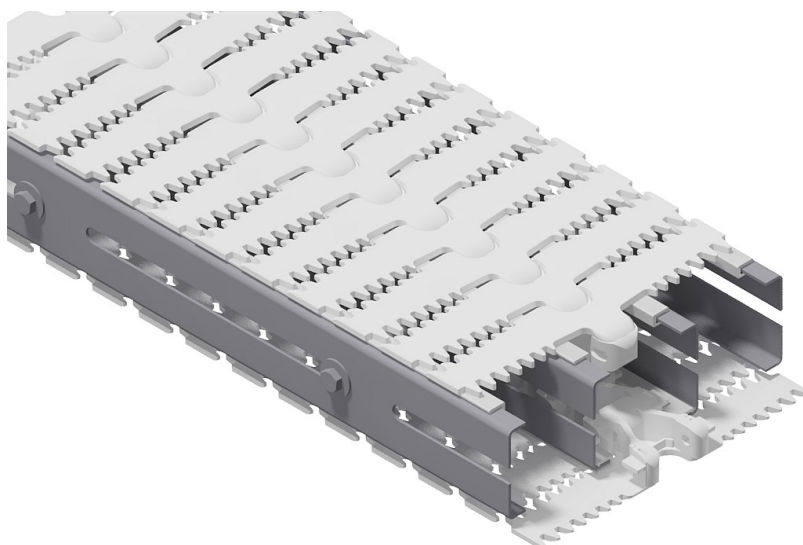




S560



Series 560



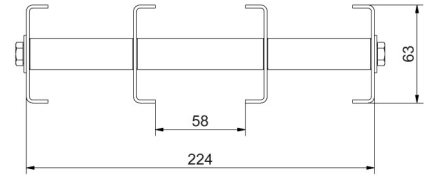
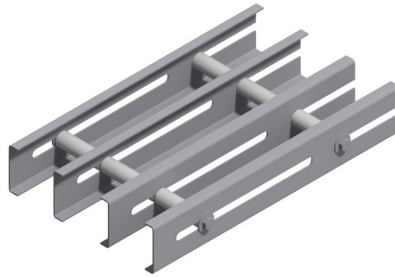
Technical specification S560	
Width of chain	220 mm
Chain pitch	38 mm
Width conveyor profile	224 mm
Height conveyor	80 mm
Radius conveyor chain on the drive and idler unit	70 mm
Max. permitted traction on the conveyor chain	1250 N
Weight conveyor	≈ 11,5 kg/m **
Recommended maximum load on conveyor	≈ 200 kg *
Recommended maximum load	≈ 20 kg/m *
Recommended maximum length of conveyor	≈ 20 m *
Recommended maximum speed	40 m/min
Minimum radius on horizontal bend	R 600 mm
Vertical bend radius	R 400 mm and R 860 mm
Motor	0,18 - 0,55 kW
Noise level	< 70 dB (A)
Chain material	Acetal
Conveyor profile material	Stainless steel
* Recommended maximum length depends on the design, load and number of bends.	
** The weight of the conveyor depends on which type of chain, guide rail and guide rail bracket.	

Series 560

Conveyor profile S560

Stainless steel
Weight 5900 g/m
Length 2.48 m

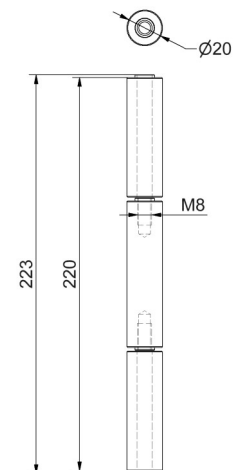
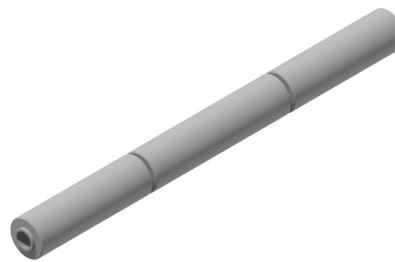
Part.no 560-1000



Spacer

Spacers for 560-1000
Stainless steel
Weight 480 g

Part.no 560-1031



Including stainless steel fasteners
Part.no 560-1035

Series 560

Conveyor chain S220

Acetal, nylon and stainless steel.

Standard version top flights are made of white acetal which is food approved

Allowed traction force 1250 N.

On request, chain and top flight can be delivered in non-standard material.

Enter the following additional letter.

L = Low friction

F = Flocked

Order example 220-2000L

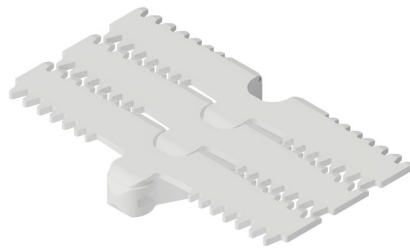
Finger chain

Slat conveyor chain for S220 and S560

Weight 2160 g/m

Qty 27 st/m

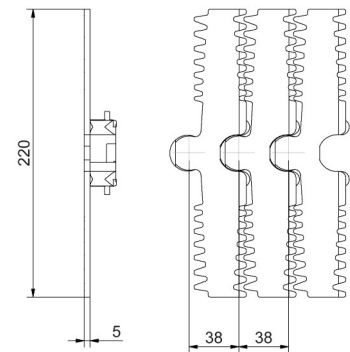
Part.no 220-2000



Top flight for standard chain

Weight 46 g

Part.no 220-2001

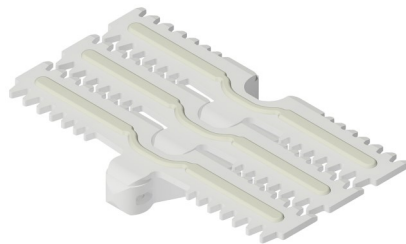
**Finger chain friction**

Standard chain with friction top flight
for S220 and S560

Weight 2211 g/m

Qty 27 st/m

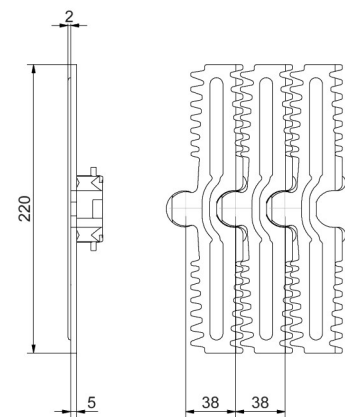
Part.no 220-2010



Top flight for friction chain

Weight 47 g

Part.no 220-2011

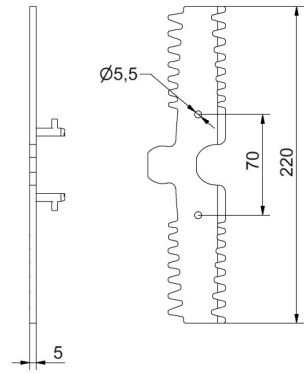
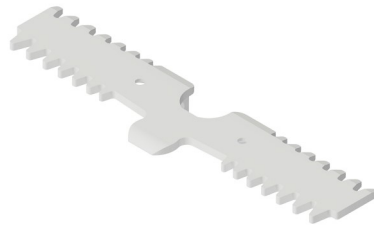


Series 560

Top flight for carrier

For S220 and S560
Vikt 43 g

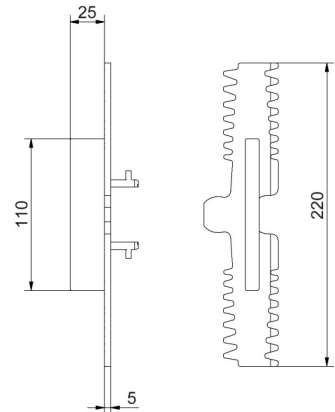
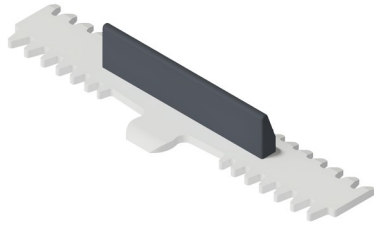
Part.no 220-2075



Top flight with carrier

For S220 and S560
Vikt 70 g

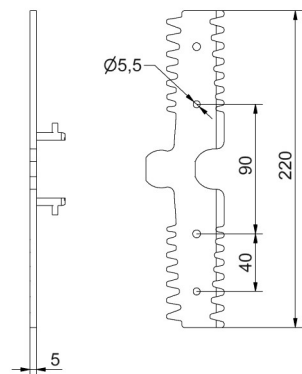
Part.no 220-2081



Top flight for carrier

For S220 and S560
Vikt 42 g

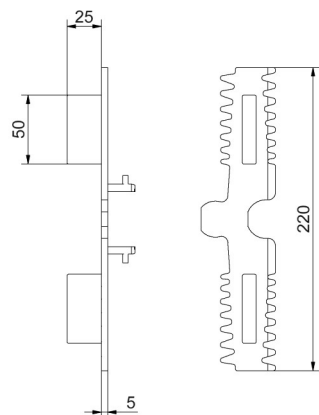
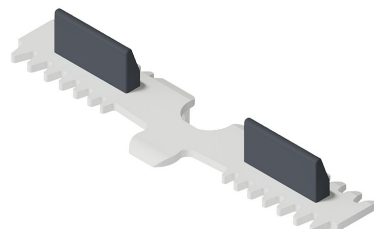
Part.no 220-2085



Top flight with carrier

For S220 and S560
Vikt 75 g

Part.no 220-2086



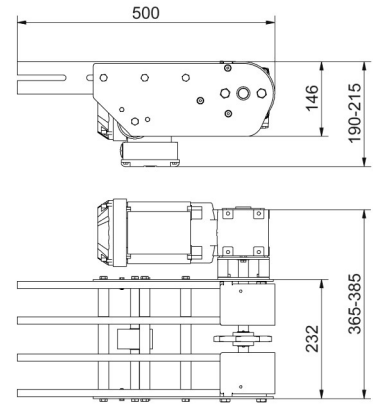
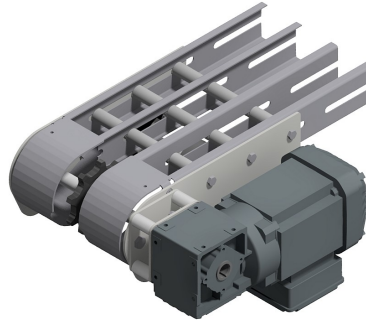
Series 560

560-30

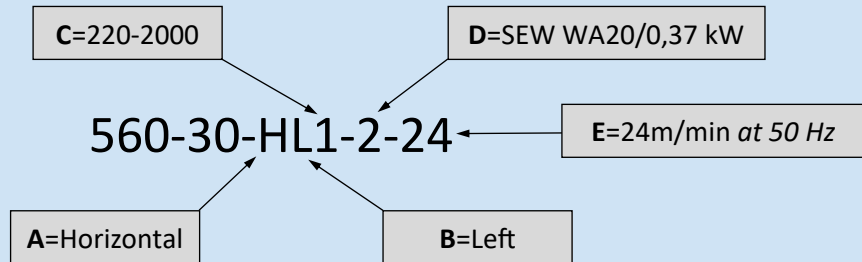
Drive unit with direct transmission S560.
IP55 and stainless steel hollow shaft.
Configuration of default drive with direct transmission **560-30-ABC-D-E**.

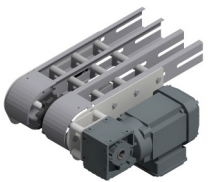
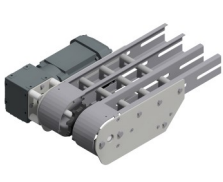
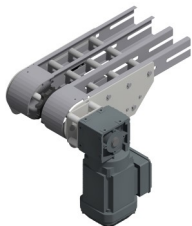
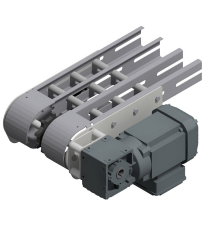
If needed, roller transfers and brackets can be found on page 108.

Weight motor 10250 g
Weight with motor 17250-23250 g



Order example



A: <u>Assembly position</u>	B: <u>Placement</u>	C: <u>Conveyor chain</u>	D: <u>Motor/gear</u> <u>Power</u>	E: <u>Speed m/min</u> <u>at 50 Hz</u>
H: Horizontal 	R: Right 	1: 220-2000 220-2010	1: SEW WA20 0,25 kW	8 18 34 10 20 12 25 15 29
		2: 220-2081		2: SEW WA20 0,37 kW
V: Vertical 	L: Left 	3: 220-2086	3: SEW WA30 0,37 kW	6 15 30 8 18 34 10 20 12 25
				4: SEW WA30 0,55 kW
				W Without motor/gear. Assembly position and shaft prepared for selected placement. More options →

Series 560

Cont. 560-30

D: Motor/gear Power	E: Speed m/min at 50 Hz		
5: SEW SA37 0,37 kW	8 10 13 16	19 25 27 31	36
6: Lenze G500-B45 0,18 kW	13 15 17 19	21 25 28 31	36
7: Lenze G500-B110 0,18 kW	8 10 12 15	19 21 25 33	38
8: Lenze G500-B45 0,25 kW	19 22 25 28	32 36	
9: Lenze G500-B110 0,25 kW	11 12 15 19	21 25 27 31	38
10: Lenze G500-B45 0,37 kW	28 32 37		

D: Motor/gear Power	E: Speed m/min at 50 Hz		
11: Lenze G500-B110 0,37 kW	11 13 16 20	22 25 28 32	34 39
12: Lenze G500-B45 0,55 kW		26 28 32 37	
13: Lenze G500-B110 0,55 kW	17 20 22 25	28 31 39	
14: Lenze Smart Motor G500-B45 max 0,47 kW			Adjustable speed 6-31 m/min
15: Lenze Smart Motor G500-B45 max 0,47 kW			Adjustable speed 10-50 m/min
			W Without motor/gear. Assembly position and shaft prepared for selected place- ment.

If needed, roller transfers and brackets can be found on page 108.

Series 560

Cont. 560-30

Bracket for roller transfer and connecting strip between conveyors

The following configuration is listed on order number 560-30-ABC-D-E- **with one additional letter.**

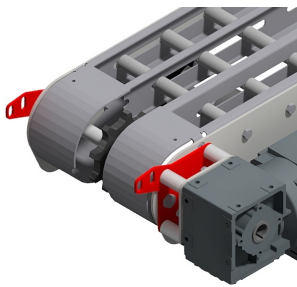
A = 500-3117L/R and 500-7112.

B = 500-3119L/R and 500-7120.

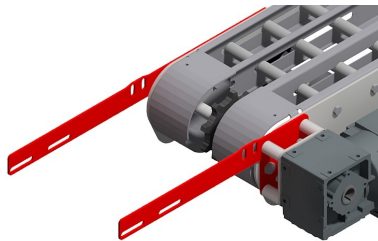
C = 500-3118L/R and 500-7130, 7 mm level difference.

Order example: 560-30-HL1-2-24-A

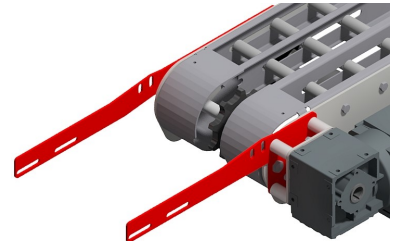
A



B



C



Bracket for roller transfer and connecting strip including roller transfer

The following configuration is listed on the existing order number 560-30-ABC-D-E- **with two extra letters.**

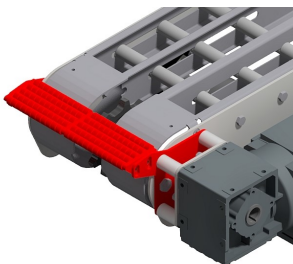
AR = 500-3117R/L, 500-7112 and 500-7020.

BR = 500-3119R/L, 500-7120 and 500-7020.

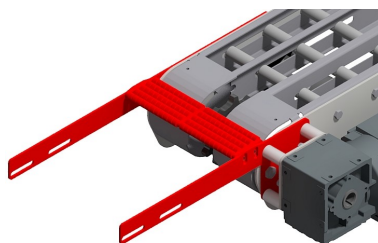
CR = 500-3118R/L, 500-7130 and 500-7020, 7 mm level difference.

Order example: 560-30-HL1-2-24-AR

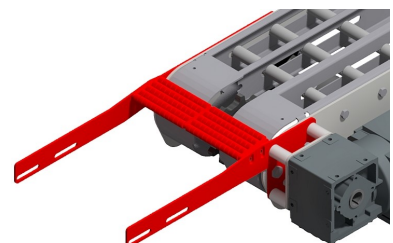
AR



BR



CR

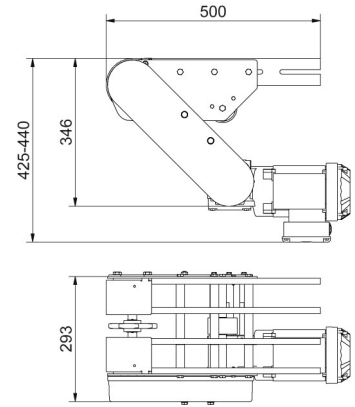
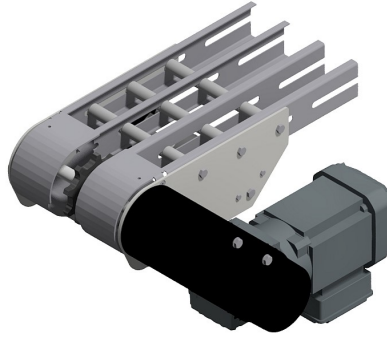


Series 560

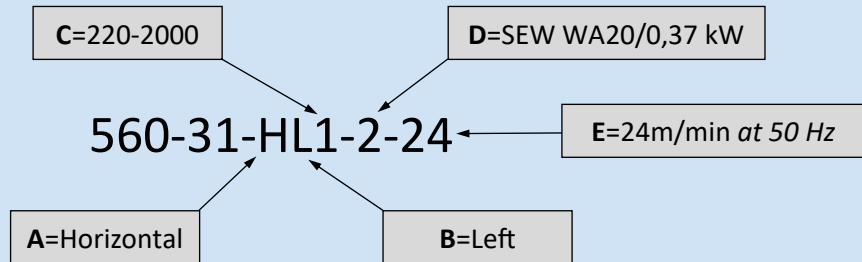
560-31

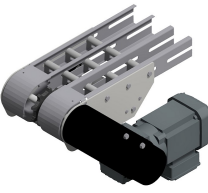
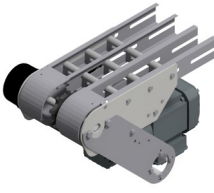

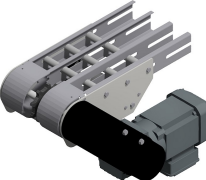
Drive unit with suspended motor with chain transmission S560.
IP55 and stainless steel hollow shaft.
Configuration of default drive unit **560-31-ABC-D-E**.

If needed, roller transfers and brackets can be found on page 111.



Order example



A: <u>Assembly position</u>	B: <u>Placement</u>	C: <u>Conveyor chain</u>	D: <u>Motor/gear</u> <u>Power</u>	E: <u>Speed m/min</u> <u>at 50 Hz</u>
H: Horizontal 	R: Right 	1: 220-2000 220-2010	1: SEW WA20 0,25 kW	8 18 34 10 20 12 25 15 29
		2: 220-2081		2: SEW WA20 0,37 kW
V: Vertical 	L: Left 	3: 220-2086	3: SEW WA30 0,37 kW	6 15 30 8 18 34 10 20 12 25
				4: SEW WA30 0,55 kW
				W Without motor/gear. Assembly position and shaft prepared for selected placement. More options →

Series 560

Cont. 560-31

D: <u>Motor/gear</u> <u>Power</u>	E: <u>Speed m/min</u> <u>at 50 Hz</u>		
5: SEW SA37 0,37 kW	8 10 13 16	19 25 27 31	36
6: Lenze G500-B45 0,18 kW	13 15 17 19	21 25 28 31	36
7: Lenze G500-B110 0,18 kW	8 10 12 15	19 21 25 33	38
8: Lenze G500-B45 0,25 kW	19 22 25 28	32 36	
9: Lenze G500-B110 0,25 kW	11 12 15 19	21 25 27 31	38
10: Lenze G500-B45 0,37 kW	28 32 37		

D: <u>Motor/gear</u> <u>Power</u>	E: <u>Speed m/min</u> <u>at 50 Hz</u>		
11: Lenze G500-B110 0,37 kW	11 13 16 20	22 25 28 32	34 39
12: Lenze G500-B45 0,55 kW		26 28 32 37	
13: Lenze G500-B110 0,55 kW	17 20 22 25	28 31 39	
14: Lenze Smart Motor G500-B45 max 0,47 kW			Adjustable speed 6-31 m/min
15: Lenze Smart Motor G500-B45 max 0,47 kW			Adjustable speed 10-50 m/min
			W Without motor/gear. Assembly position and shaft prepared for selected place- ment.

If needed, roller transfers and brackets can be found on page 111.

Series 560

Cont. 560-31

Bracket for roller transfer and connecting strip between conveyors

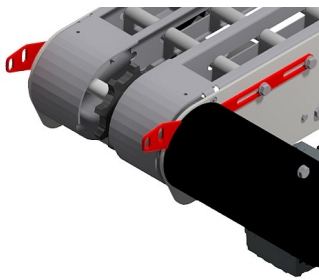
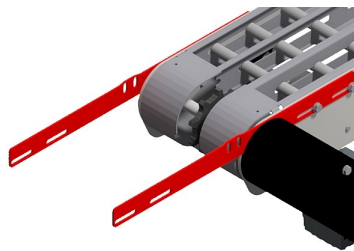
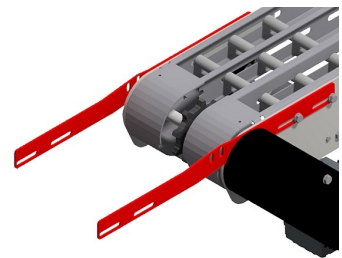
The following configuration is listed on order number 560-31-ABC-D-E- **with one additional letter.**

A = 500-7112.

B = 500-7120.

C = 500-7130, 7 mm level difference.

Order example: 560-31-HL1-2-24-A

A**B****C**

Bracket for roller transfer and connecting strip including roller transfer

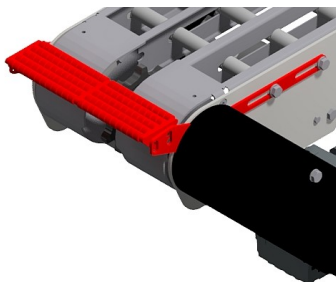
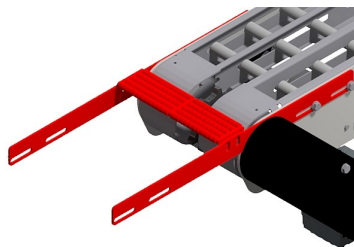
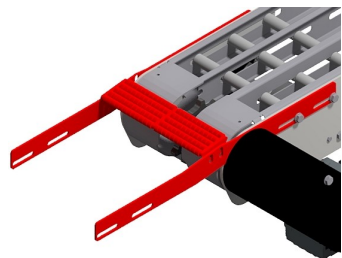
The following configuration is listed on the existing order number 560-31-ABC-D-E- **with two extra letters.**

AR = 500-7112 and 500-7020

BR = 500-7120 and 500-7020

CR = 500-7130 and 500-7020, 7 mm level difference.

Order example: 560-31-HL1-2-24-AR

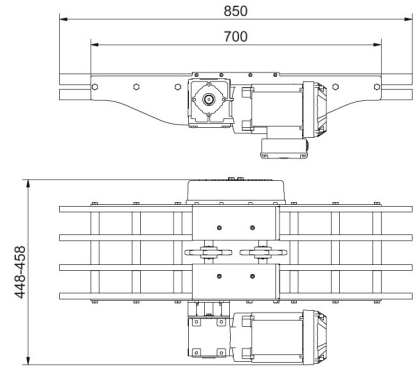
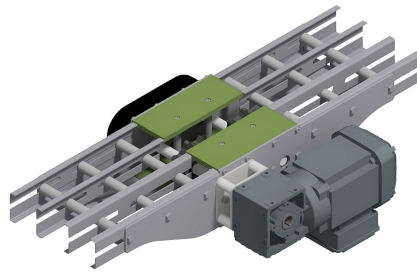
AR**BR****CR**

Series 560

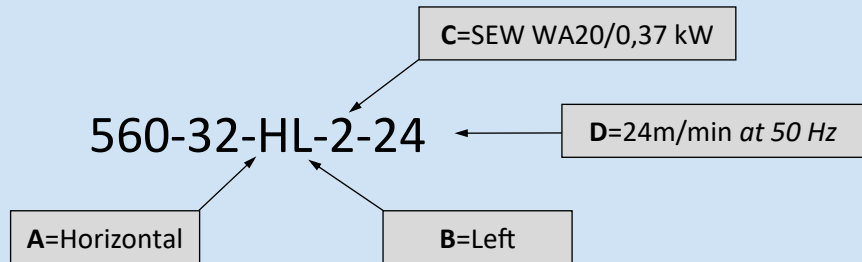
560-32

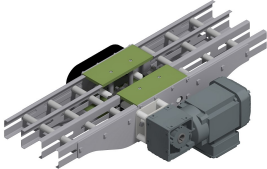
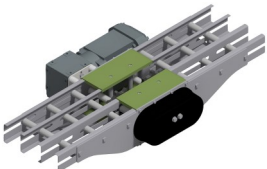
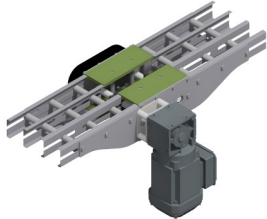
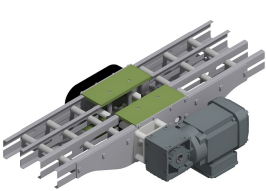
Drive unit with intermediate motor and returnchain S560.
IP55 and stainless steel hollow shaft.
Configuration of default drive unit
560-32-AB-C-D.

Use 560-4055 as front idler unit



Order example



A: <u>Assembly position</u>	B: <u>Placement</u>	C: <u>Motor/gear</u> <u>Power</u>	D: <u>Speed m/min</u> <u>at 50 Hz</u>		
H: Horizontal 	R: Right 	1: SEW WA20 0,25 kW	8	18	34
			10	20	
V: Vertical 	L: Left 	2: SEW WA20 0,37 kW	12	25	
			15	29	
		3: SEW WA30 0,37 kW	18	34	
			20		
		4: SEW WA30 0,55 kW	25		
			30		
			W Without motor/gear. Assembly position and shaft prepared for selected place- ment. More options →		

Series 560

Cont. 560-32

C: Motor/gear Power	D: Speed m/min at 50 Hz		
5: SEW SA37 0,37 kW	8 10 13 16	19 25 27 31	36
6: Lenze G500-B45 0,18 kW	13 15 17 19	21 25 28 31	36
7: Lenze G500-B110 0,18 kW	8 10 12 15	19 21 25 33	38
8: Lenze G500-B45 0,25 kW	19 22 25 28	32 36	
9: Lenze G500-B110 0,25 kW	11 12 15 19	21 25 27 31	38
10: Lenze G500-B45 0,37 kW	28 32 37		

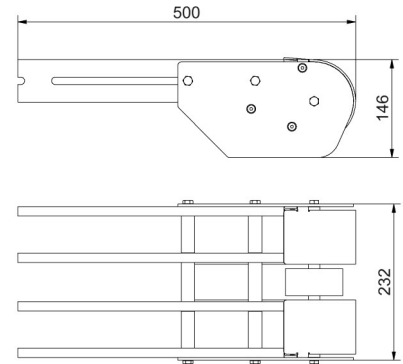
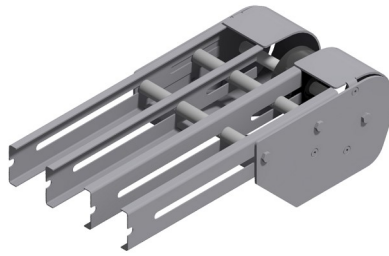
C: Motor/gear Power	D: Speed m/min at 50 Hz		
11: Lenze G500-B110 0,37 kW	11 13 16 20	22 25 28 32	34 39
12: Lenze G500-B45 0,55 kW		26 28 32 37	
13: Lenze G500-B110 0,55 kW	17 20 22 25	28 31 39	
14: Lenze Smart Motor G500-B45 max 0,47 kW			Adjustable speed 6-31 m/min
15: Lenze Smart Motor G500-B45 max 0,47 kW			Adjustable speed 10-50 m/min
			W Without motor/gear. Assembly position and shaft prepared for selected place- ment.

Series 560

Idler unit

Standard idler unit for S560
Weight 6250 g

Part.no 560-4000



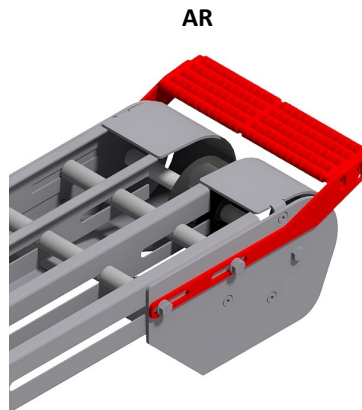
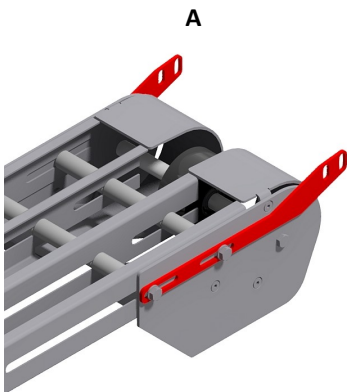
Bracket for roller transfer and bracket including roller transfer

The following configuration is listed on the existing order number 560-4000- with **one/or two additional letter**.

A = 500-7111

AR = 500-7111 and 500-7020

Order example: 560-4000-A



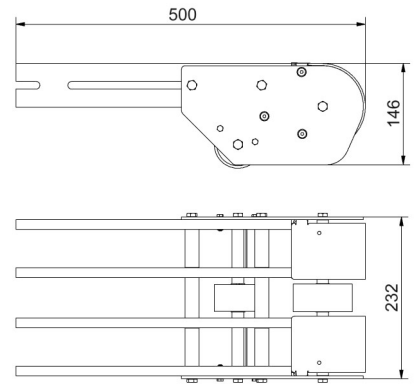
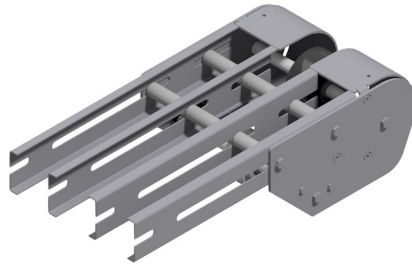
Series 560

Idler unit

Used as front idler unit for conveyor where drive unit 560-32 is included.
Configuration of idler unit

Part.no 560-4055-A.

If needed, roller transfers and brackets can be found on page 116.



Order example

560-4055-1

A=220-2000

A:

Conveyor chain

1:	2:	3:
220-2000 220-2010	220-2081	220-2086

Series 560

Cont. 560-4055-A

Bracket for roller transfer and connecting strip between conveyors

The following configuration is listed on order number 560-4055-A- **with one additional letter**.

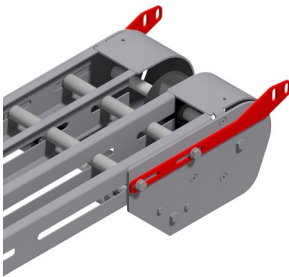
A = 500-7112.

B = 500-7120.

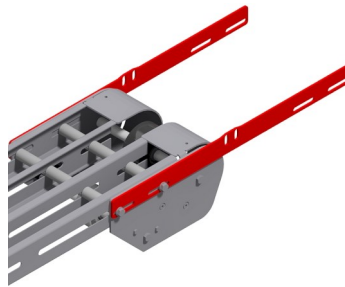
C = 500-7130, 7 mm level difference

Order example: 560-4055-1-A

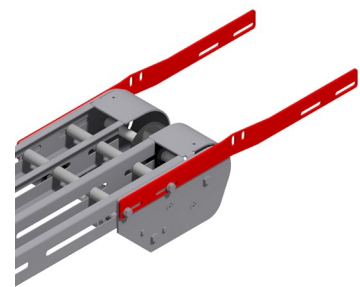
A



B



C



Bracket for roller transfer and connecting strip including roller transfer

The following configuration is listed on the existing order number 560-4055-A- **with two extra letters**.

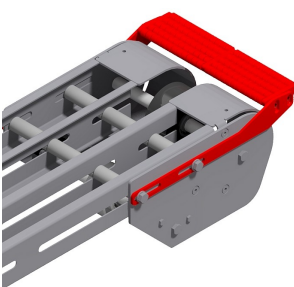
AR = 500-7112 and 500-7020.

BR = 500-7120 and 500-7020.

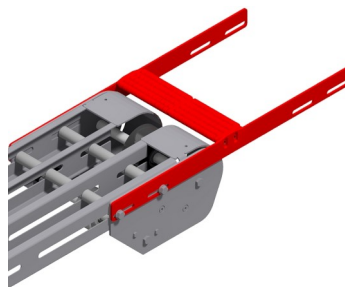
CR = 500-7130 and 500-7020, 7 mm level difference.

Order example: 560-4055-1-AR

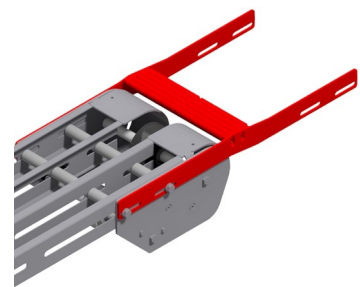
AR



BR



CR



Series 560

Plain bend

Standard plain bend S560
Stainless steel

Plain bend configuration
Part.no 560-5375-A-B

A= bend radius
B= angle on bend
The following radius and angles are standard



A = Radius	B = Angle
600 mm	15°, 30°, 45°, 90°, 180°
900 mm	15°, 30°, 45°, 90°, 180°

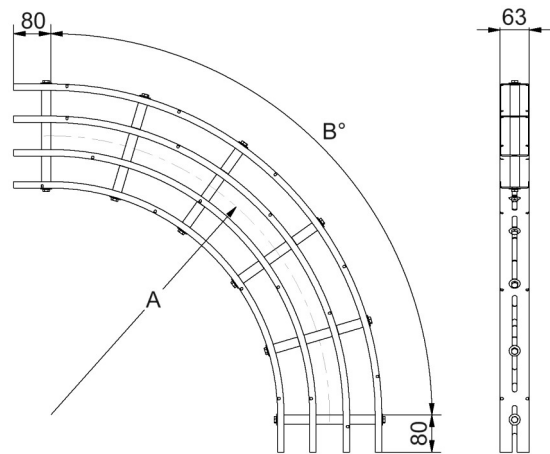
Other radius and angles are manufactured on request

Order example

560-5375-600-90

A= 600 mm

B= 90°



Series 560

Vertical bend

Standard vertical bend R400
Stainless steel

Vertical bend configuration
Part.no 560-5645-A

A= angle on bend

Standard angles for R400

A = 10°

A = 15°

A = 20°

A = 30°

A = 45°

A = 60°

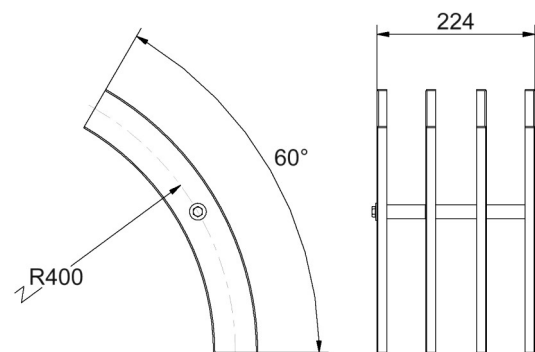
A = 90°

Other radius and angles are manufactured on request
Minimum 10°

Order example

560-5645-45

A = 45°



Series 560

Vertical bend

Standard vertical bend R860
Stainless steel

Vertical bend configuration
Part.no 560-5695-A

A= angle on bend

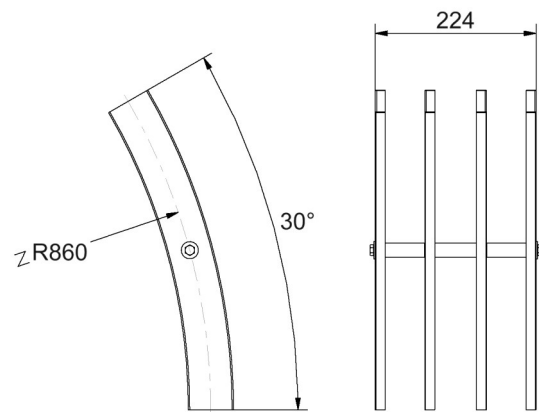
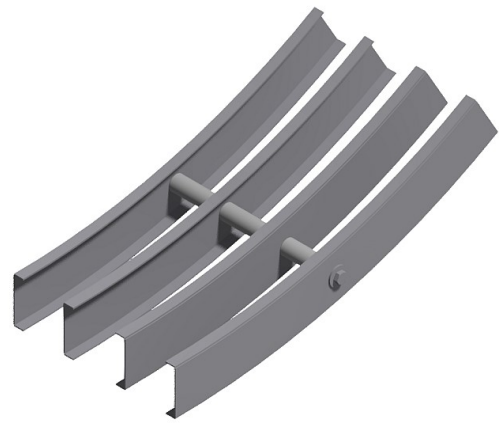
Standard angles for R860
A = 5°
A = 10°
A = 15°
A = 20°
A = 30°
A = 45°
A = 60°
A = 90°

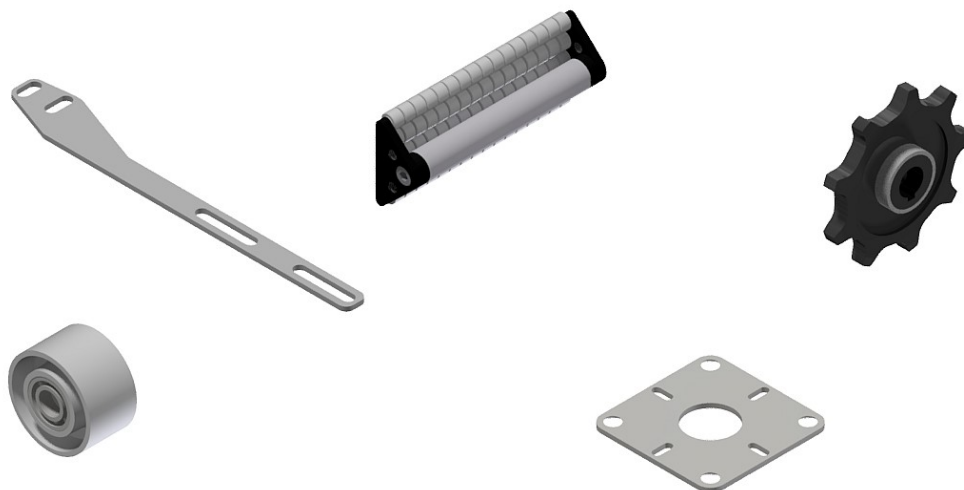
Other radius and angles are manufactured on request
Minimum 5°

Order example

560-5695-45

A= 45°





S5900

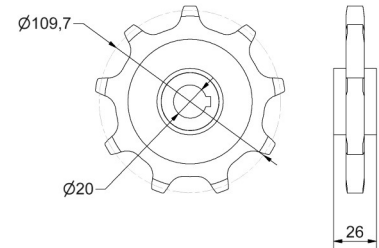


Series 5900

Sprocket

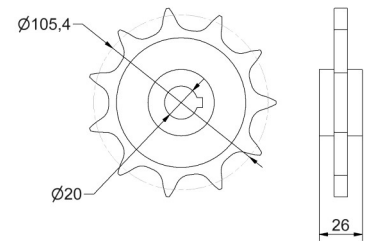
Sprocket for S530, S540 och S560
9 teeth
Black reinforced nylon and stainless steel
Weight 131 g

Part.no 500-3250

**Sprocket**

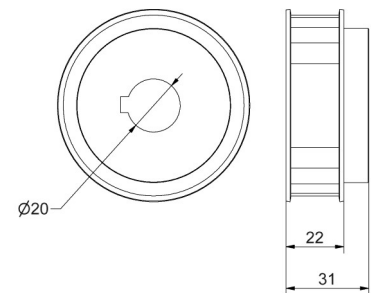
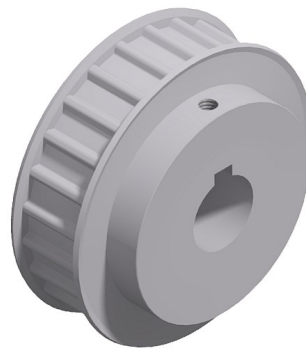
Sprocket for S520
11 teeth
Black reinforced nylon and stainless steel
Weight 118 g

Part.no 500-3200

**Timing pulley**

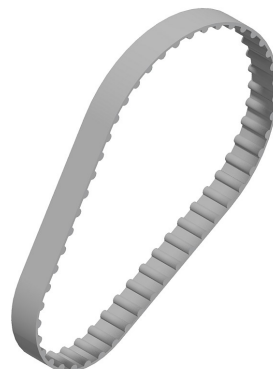
Timing pulley AT10 with flanges
24 teeth for S520 and S530
Anodized aluminum
Weight 240 g

Part.no 17047

**Timing belt**

Timing belt AT10 with length 890 mm
and width 16 mm for S520 and S530
Polyurethane
Weight 85 g

Part.no 17046



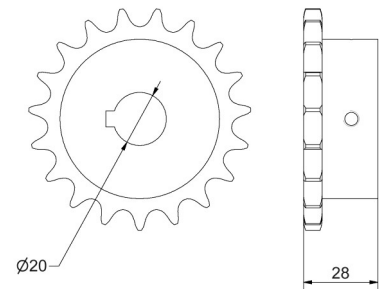
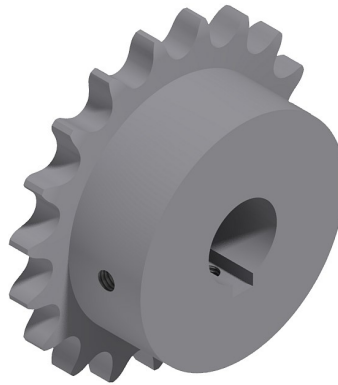
Series 5900

Sprocket

Sprocket for 1/2" chain and shaft $\varnothing 20$ mm
 19 teeth
 Untreated steel
 VWeight 630 g

Stainless steel on request

Part.no 16656

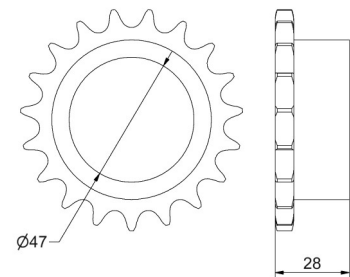


Sprocket

Sprocket for 1/2" chain and clamping joint
 19 teeth
 Untreated steel
 Weigth 330 g

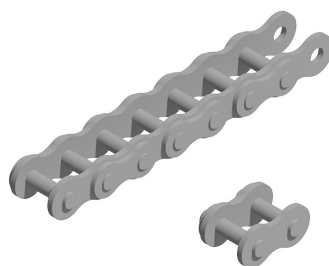
Stainless steel on request

Part.no 16657



Chain

Chain 1/2" for suspended drive, intermediate, and catenary drive unit.
 Delivered in number of links/semi-link including chain lock.
 Untreated steel.
 Stainless steel on request



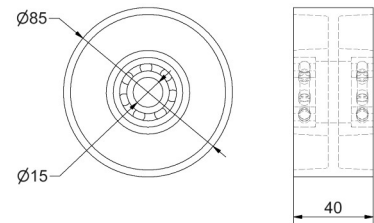
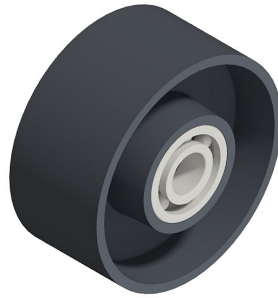
Part.no	Number of links
16840	19 links including chain lock
16843	19 links + semi-link including chain lock
17048	34 links including chain lock

Series 5900

Idler wheel

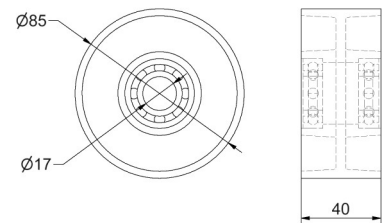
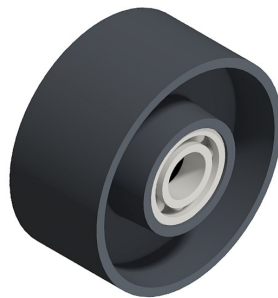
Idler wheel with bearing SS6202-2RS
for S520, S530 and S540
Black nylon
Weight 175 g

Part.no 500-3270

**Idler wheel**

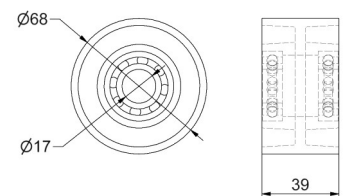
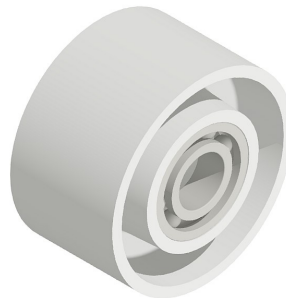
Idler wheel with bearing SS6003-2RS for
S560
Black nylon
Weight 163 g

Part.no 500-3310

**Support wheel**

Support wheel with bearing SS6003-2RS
for S560
White acetal
Weight 160 g

Part.no 500-3320

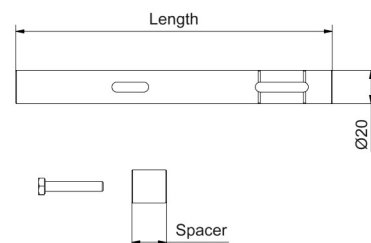
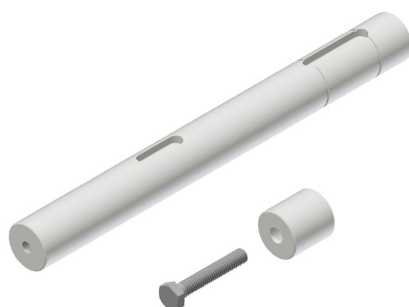


Series 5900

Shaft for drive unit

Shaft for SEW WA20 and Lenze B45 for drive units according to table.
Stainless steel

SEW WA30, SA37 and Lenze B110 uses drive shaft along with correct spacer according to table.



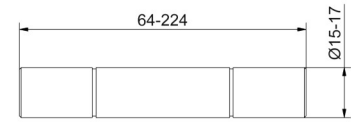
Standard drive shafts for SEW WA20 and Lenze B45			Part. No for spacers for other gears including M6 x 35	
Drive shaft Part.no	Fits drive unit	Length of drive shaft	Spacer for WA30 and B110	Spacer for SA37
13146	520-30	191 mm	15261	15262
13262	520-31/530-31 540-31/560-31	134 mm	15261	15262
17171	520-31	126 mm		
13176	520-32	238 mm	15261	15262
13160	520-32	118 mm		
13144	530-30/530-34	213 mm	15261	15262
13265	530-31	141 mm		
13177	530-32	260 mm	15261	15262
13161	530-32	138 mm		
13143	540-30	273 mm	15261	15262
16728	540-31	201 mm		
17198	540-32	320 mm	15261	15262
17199	540-32	198 mm		
13142	560-30	351 mm	15261	15262
16611	560-31	279 mm		
16852	560-32	402 mm	15261	15262
16854	560-32	275 mm		

Series 5900

Shaft for idler unit

Shaft for idler units according to table
Stainless steel

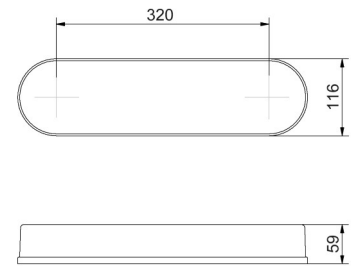
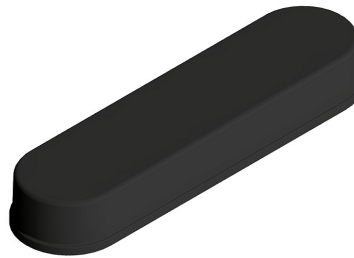
Part.no	Idler unit
13800	520-4000 520-4055
13382	530-4000 300-4055
13801	540-4000 540-4055
13802	560-4000 560-4055



Cover

Cover for chain transmission
Black thermoplastic
Weight 245 g

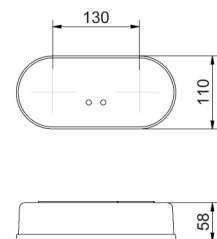
Part.no 900-2260



Cover

Cover for chain transmission
Black thermoplastic
Weight 120 g

Part.no 900-2270

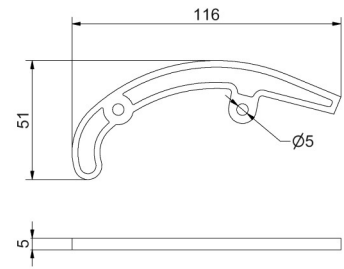


Series 5900

Return guide

Return guide for chain
Black nylon
Weight 7 g

Part.no 900-2140

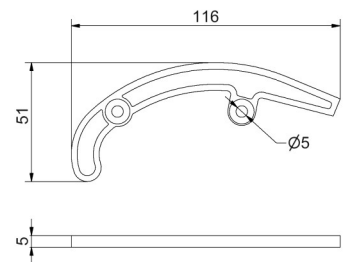


Return guide

Return guide for chain, with
countersunk holes
Black nylon
Weight 7 g

Manufactured in version right and left.
R = Right
L = Left

Part.no 900-2150R
Part.no 900-2150L



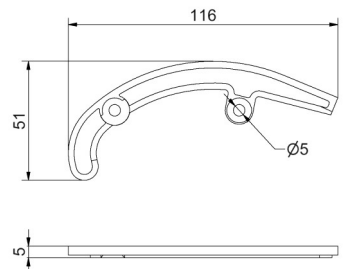
Return guide

Return guide for chain, with
countersunk holes and milled edges.
Black nylon
Weight 7 g

Manufactured in version right and left.
R = Right
L = Left

Part no. 900-2160R
Part no. 900-2160L

Part.no 900-2160R
Part.no 900-2160L

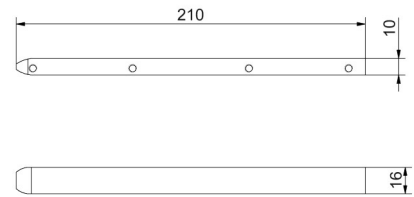
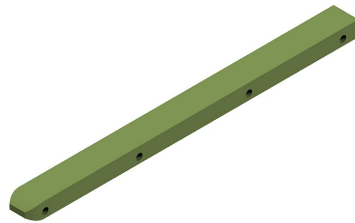


Series 5900

Slide bar

Slide bar for intermediate drive unit
S520 och S530
Green amide plastic
Weight 40 g

Part.no 500-2136

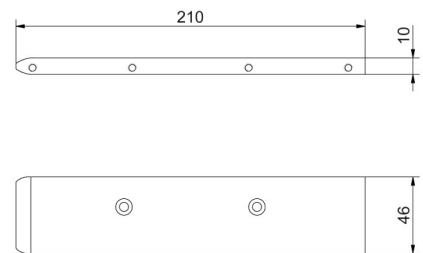
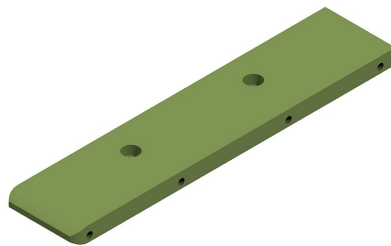


Slide bar

Slide bar for intermediate drive unit
S540
Green amide plastic
Weight 110 g

Manufactured in version right and left.
R = Right
L = Left

Part.no 500-2137R
Part.no 500-2137L

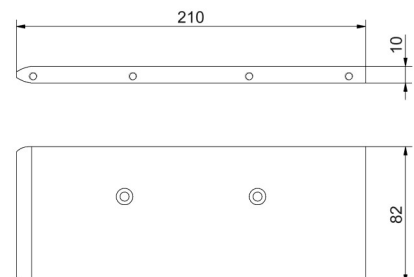
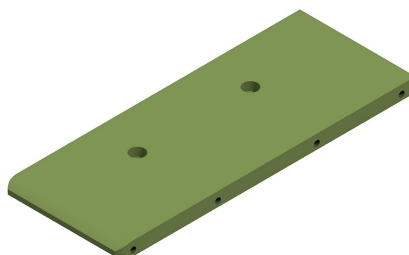


Slide bar

Slide bar for intermediate drive unit
S560
Green amide plastic
Weight 190 g

Manufactured in version right and left.
R = Right
L = Left

Part.no 500-2138R
Part.no 500-2138L

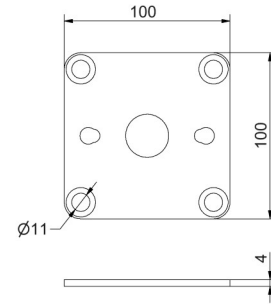


Series 5900

Mounting plate

Mounting plate standard.
Stainless steel
Weight 280 g

Part.no 500-3077



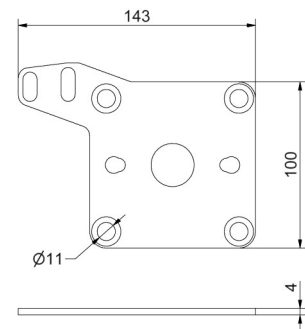
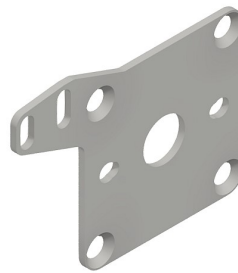
Mounting plate

Mounting plate with bracket for roller transfer.
Stainless steel
Weight 315 g

Manufactured in version right and left.
R = Right
L = Left

Part.no 500-3117R

Part.no 500-3117L



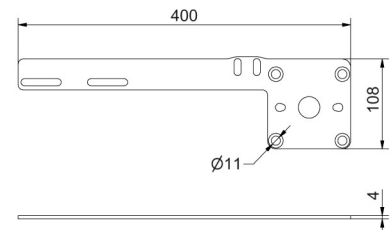
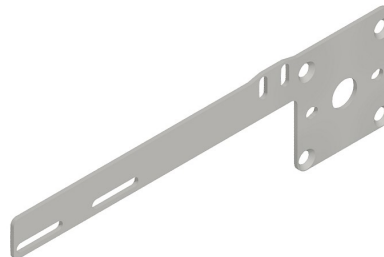
Mounting plate

Mounting plate with connecting strip and bracket for roller transfer.
Stainless steel
Weight 635 g

Manufactured in version right and left.
R = Right
L = Left

Part.no 500-3119R

Part.no 500-3119L



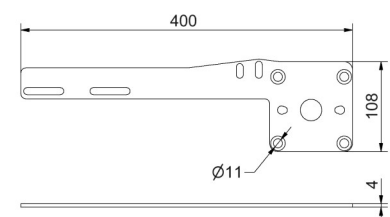
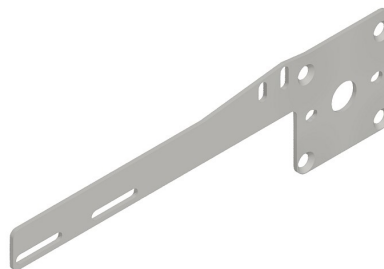
Mounting plate

Mounting plate with connecting strip and bracket for roller transfer and 7 mm level difference.
Stainless steel
Weight 650 g

Manufactured in version right and left.
R = Right
L = Left

Part.no 500-3118R

Part.no 500-3118L

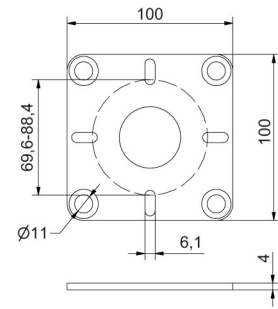
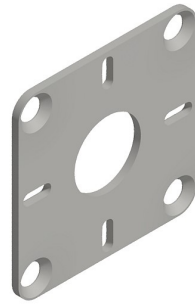


Series 5900

Motor plate

Motor plate for SEW WA20, WA30,
SA37 and Lenze B45
Stainless steel
Weight 260 g

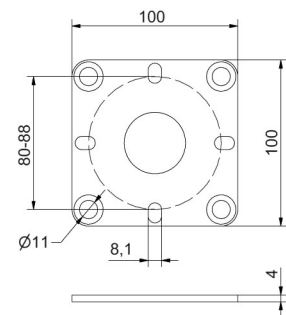
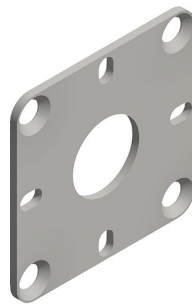
Part.no 500-3075



Motor plate

Motor plate for Lenze B110
Stainless steel
Weight 260 g

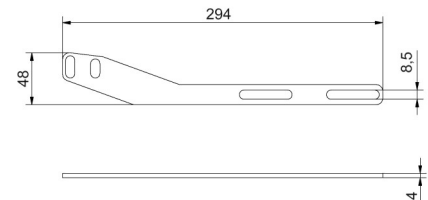
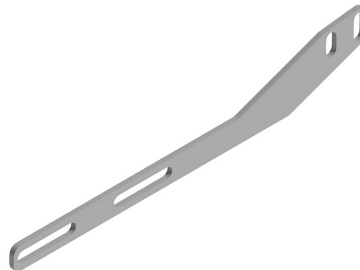
Part.no 500-3076



Bracket

Bracket for roller transfer for idler unit
Stainless steel
Weight 180 g

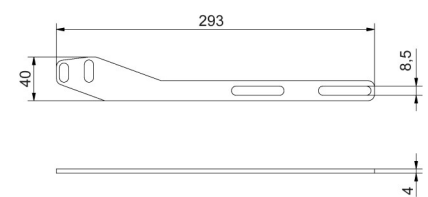
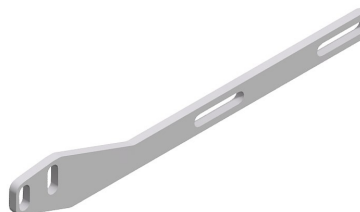
Part.no 500-7111



Bracket

Bracket for roller transfer for drive unit
Stainless steel
Weight 180 g

Part.no 500-7112

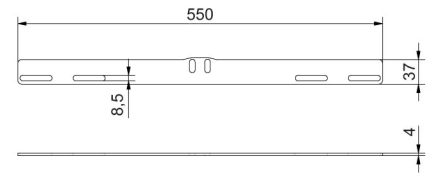
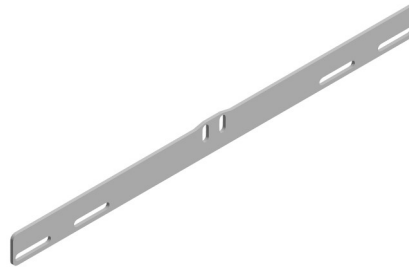


Series 5900

Connecting strip

Connecting strip between conveyors
Stainless steel
Weight 605 g

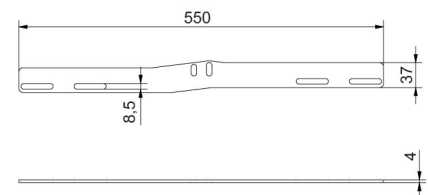
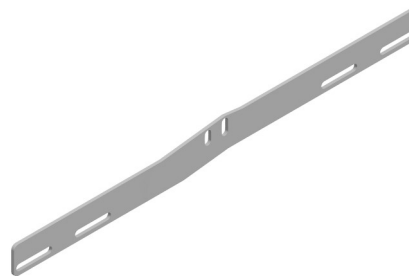
Part.no 500-7120



Connecting strip

Connecting strip between conveyors
with 7 mm level difference
Stainless steel
Weight 610 g

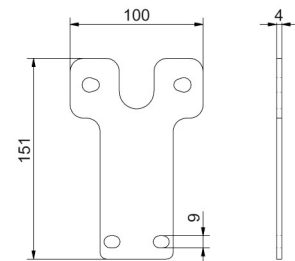
Part.no 500-7130



Conveyor bracket

Conveyor bracket for drive unit
Stainless steel
Weight 290 g

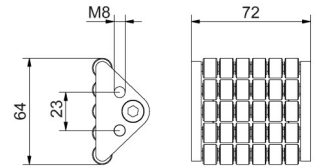
Part.no 500-4365



Series 5900

Roller transfer

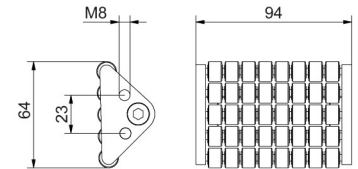
Roller transfer for S520
Reinforced nylon, acetal and stainless steel
Weight 157 g



Part.no 500-7000

Roller transfer

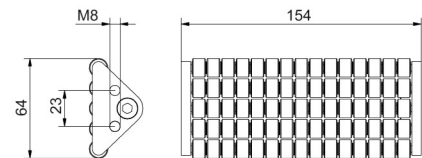
Roller transfer for S530
Reinforced nylon, acetal and stainless steel
Weight 195 g



Part.no 500-7010

Roller transfer

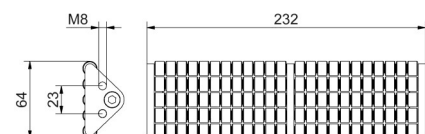
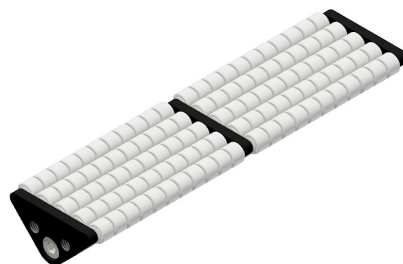
Roller transfer for S540
Reinforced nylon, acetal and stainless steel
Weight 305 g



Part.no 500-7020

Roller transfer

Roller transfer for S560
Reinforced nylon, acetal and stainless steel
Weight 443 g



Part.no 500-7030

Series 5900

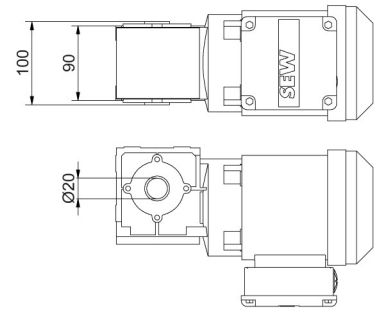
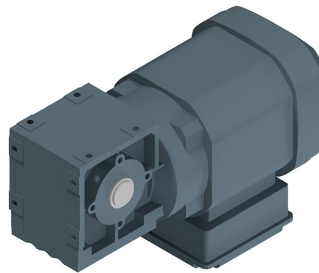
SEW WA20 with motor

SEW WA20 with motor.
IE3, IP55 and stainless steel hollow shaft.

Enter output rpm according to table when ordering.

Other add-on on request.

Weight 7000-8800 g



Order example

500-4025/53

Rpm

Part no. for WA20	Power	Rpm	Speed at 50 Hz m/min	Ratio
500-4025	0,25 kW	23	8	60
500-4025	0,25 kW	29	10	48
500-4025	0,25 kW	36	12	39
500-4025	0,25 kW	43	15	32,5
500-4025	0,25 kW	51	18	27,5
500-4025	0,25 kW	57	20	24,5
500-4025	0,25 kW	72	25	19,5
500-4025	0,25 kW	85	29	16,5
500-4025	0,25 kW	98	34	14,33
500-4025	0,25 kW	137	47	10,25
500-4025	0,25 kW	171	59	8,2
Part no. for WA20	Power	Rpm	Speed at 50 Hz m/min	Ratio
500-4030	0,37 kW	51	18	27,5
500-4030	0,37 kW	58	20	24,5
500-4030	0,37 kW	73	25	19,5
500-4030	0,37 kW	86	30	16,5
500-4030	0,37 kW	99	34	14,33
500-4030	0,37 kW	138	48	10,25
500-4030	0,37 kW	173	59	8,2

Series 5900

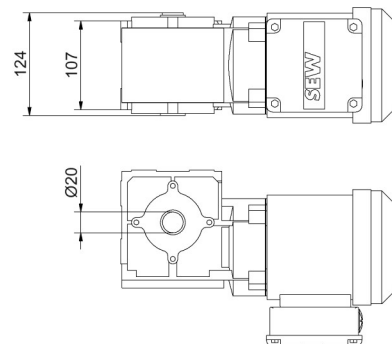
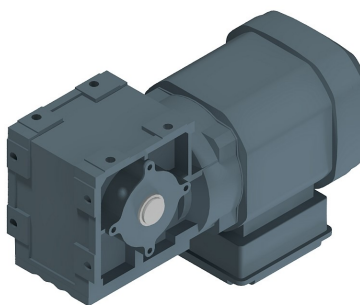
SEW WA30 with motor

SEW WA30 with motor.
IE3, IP55 and stainless steel hollow shaft.

Enter output rpm according to table when ordering.

Other add-on on request

Weight 11000-13000 g



Order example

500-4040/56

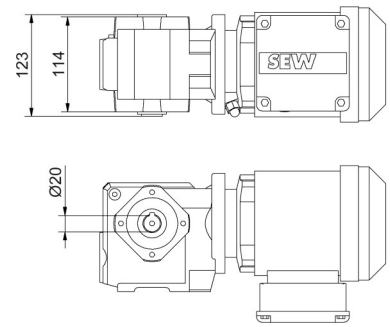
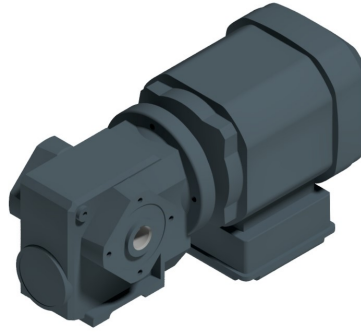
Rpm

Part no. for WA30	Power	Rpm	Speed at 50 Hz m/min	Ratio
500-4040	0,37 kW	19	6	75
500-4040	0,37 kW	24	8	60
500-4040	0,37 kW	29	10	48
500-4040	0,37 kW	36	12	39
500-4040	0,37 kW	44	15	32,5
500-4040	0,37 kW	51	18	27,5
500-4040	0,37 kW	58	20	24,5
500-4040	0,37 kW	73	25	19,5
500-4040	0,37 kW	86	30	16,33
500-4040	0,37 kW	99	34	14,33
500-4040	0,37 kW	138	48	10,25
500-4040	0,37 kW	173	59	8,2
Part no. for WA30	Power	Rpm	Speed at 50 Hz m/min	Ratio
500-4045	0,55 kW	44	15	32,5
500-4045	0,55 kW	52	18	27,5
500-4045	0,55 kW	59	20	24,5
500-4045	0,55 kW	87	30	16,33
500-4045	0,55 kW	100	34	14,33
500-4045	0,55 kW	140	48	10,25
500-4045	0,55 kW	175	60	8,2

Series 5900

SEW SA37 with motor

SEW SA37 with motor.
 IE3, IP55 and stainless steel hollow shaft.
 Enter output rpm according to table when ordering.
 Other add-on on request
 Weight 13000 g



Order example

500-4050/54

Rpm

Part no. for SA37	Power	Rpm	Speed at 50 Hz m/min	Ratio
500-4050	0,37 kW	22	8	63,33
500-4050	0,37 kW	28	10	51,3
500-4050	0,37 kW	38	13	37,66
500-4050	0,37 kW	46	16	30,68
500-4050	0,37 kW	56	19	25,38
500-4050	0,37 kW	71	25	19,89
500-4050	0,37 kW	78	27	18,24
500-4050	0,37 kW	91	31	15,53
500-4050	0,37 kW	106	36	13,39

Series 5900

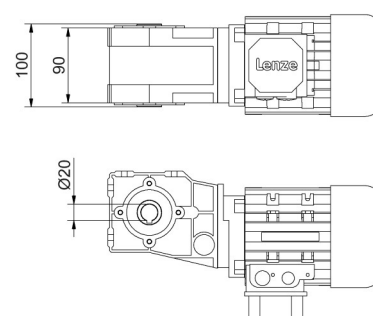
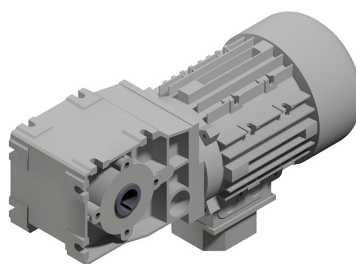
Lenze B45 with motor

Lenze G500-B45 with motor.
IE2, IP55 and stainless steel hollow shaft.

Enter output rpm according to table when ordering.

Other add-on on request

Weight 7000-9300 g



Order example

500-4210/55

Rpm

Part no. for G500-B45	Power	Rpm	Speed at 50 Hz m/min	Ratio
500-4210	0,18 kW	36	13	37,48
500-4210	0,18 kW	42	15	32,59
500-4210	0,18 kW	47	17	28,8
500-4210	0,18 kW	55	19	25,05
500-4210	0,18 kW	61	21	22,27
500-4210	0,18 kW	71	25	19,36
500-4210	0,18 kW	79	28	17,37
500-4210	0,18 kW	90	31	15,11
500-4210	0,18 kW	102	36	13,38
500-4210	0,18 kW	117	41	11,64
500-4210	0,18 kW	130	45	10,46
Part no. for G500-B45	Power	Rpm	Speed at 50 Hz m/min	Ratio
500-4211	0,25 kW	55	19	25,05
500-4211	0,25 kW	62	22	22,27
500-4211	0,25 kW	71	25	19,36
500-4211	0,25 kW	79	28	17,37
500-4211	0,25 kW	91	32	15,11
500-4211	0,25 kW	102	36	13,38
500-4211	0,25 kW	118	41	11,64
500-4211	0,25 kW	131	46	10,46

More options →

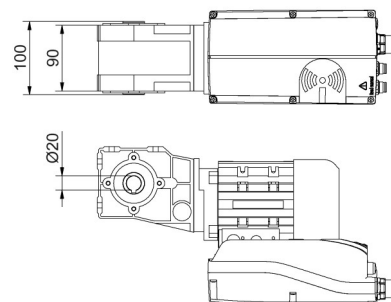
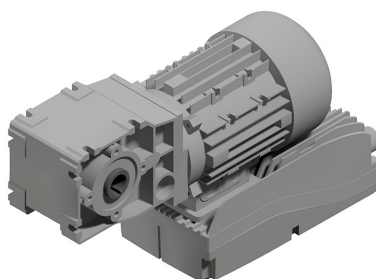
Series 5900

Cont. Lenze G500-B45 with motor

Part no. for G500-B45	Power	Rpm	Speed at 50 Hz m/min	Ratio
500-4212	0,37 kW	81	28	17,37
500-4212	0,37 kW	93	32	15,11
500-4212	0,37 kW	105	37	13,38
500-4212	0,37 kW	121	42	11,64
500-4212	0,37 kW	135	47	10,46
500-4212	0,37 kW	155	54	9,1
Part no. for G500-B45	Power	Rpm	Speed at 50 Hz m/min	Ratio
500-4213	0,55 kW	73	26	19,36
500-4213	0,55 kW	81	28	17,37
500-4213	0,55 kW	93	32	15,11
500-4213	0,55 kW	105	37	13,38
500-4213	0,55 kW	121	42	11,64
500-4213	0,55 kW	135	47	10,46

Lenze B45 with Smart motor

Lenze G500-B45 with Smart motor and 0,47 kW.
 Configurable with NFC for variable speeds.
 IE2, IP55 and stainless steel hollow shaft.
 Weight 8800 g



Part no. for G500-B45 Smart motor	Power	Rpm	Speed at 50 Hz m/min	Ratio
500-4214	0,47 kW	17-90	6-31	28,08
500-4215	0,47 kW	29-150	10-50	17,37

Series 5900

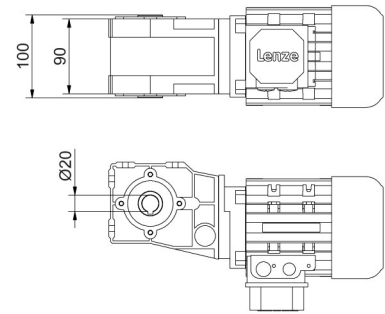
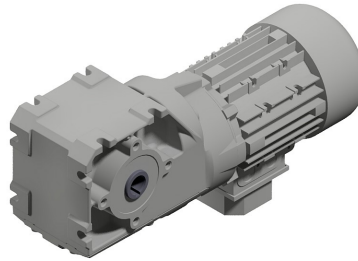
Lenze B110 with motor

Lenze G500-B110 with motor.
IE2, IP55 and stainless steel hollow shaft.

Enter output rpm according to table when ordering.

Other add-on on request

Weight 8600-10000 g



Order example

500-4216/54

Rpm

Part no. for G500-B110	Power	Rpm	Speed at 50 Hz m/min	Ratio
500-4216	0,18 kW	26	8	52,69
500-4216	0,18 kW	28	10	48,16
500-4216	0,18 kW	34	12	40
500-4216	0,18 kW	43	15	31,91
500-4216	0,18 kW	54	19	25,18
500-4216	0,18 kW	61	21	22,48
500-4216	0,18 kW	70	25	19,55
500-4216	0,18 kW	94	33	14,6
500-4216	0,18 kW	108	38	12,69
500-4216	0,18 kW	119	41	11,44
Part no. for G500-B110	Power	Rpm	Speed at 50 Hz m/min	Ratio
500-4217	0,25 kW	30	11	46
500-4217	0,25 kW	34	12	40
500-4217	0,25 kW	43	15	31,91
500-4217	0,25 kW	54	19	25,18
500-4217	0,25 kW	61	21	22,48
500-4217	0,25 kW	70	25	19,55
500-4217	0,25 kW	77	27	17,88
500-4217	0,25 kW	88	31	15,55
900-4217	0,25 kW	108	38	12,69

More options →

Series 5900

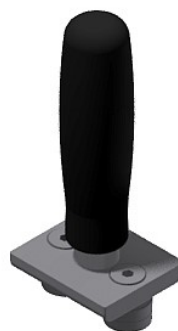
Cont. Lenze G500-B110 with motor

Order example

500-4218/56

Rpm

Part no. for G500-B110	Power	Rpm	Speed at 50 Hz m/min	Ratio
500-4217	0,25 kW	120	42	11,44
500-4217	0,25 kW	131	46	10,46
500-4217	0,25 kW	151	52	9,10
Part no. for G500-B110	Power	Rpm	Speed at 50 Hz m/min	Ratio
500-4218	0,37 kW	31	11	46
500-4218	0,37 kW	38	13	10,46
500-4218	0,37 kW	44	16	31,91
500-4218	0,37 kW	56	20	25,18
500-4218	0,37 kW	63	22	22,48
500-4218	0,37 kW	72	25	19,55
500-4218	0,37 kW	79	28	17,88
500-4218	0,37 kW	91	32	15,55
500-4218	0,37 kW	97	34	14,60
500-4218	0,37 kW	111	39	12,69
500-4218	0,37 kW	123	43	11,44
500-4218	0,37 kW	135	47	10,46
Part no. for G500-B110	Power	Rpm	Speed at 50 Hz m/min	Ratio
500-4219	0,55 kW	49	17	28,96
500-4219	0,55 kW	56	20	25,18
500-4219	0,55 kW	63	22	22,48
500-4219	0,55 kW	72	25	19,55
500-4219	0,55 kW	79	28	17,88
500-4219	0,55 kW	90	31	15,55
500-4219	0,55 kW	111	39	12,69
500-4219	0,55 kW	123	43	11,44
500-4219	0,55 kW	134	47	10,46



S1000

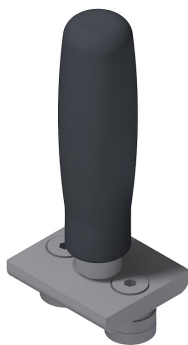


Serie 1000

Slide rail tool

Tool for mounting slide rail 500-4000
Plastic, anodized aluminum and stainless steel
Weight 460 g

Part.no 17770

**Pliers**

For dismantling conveyor chain
S620
Zinc plated steel and rubber
Weight 250 g

Part.no 10657-4

**Clamp**

For assembly and maintenance of
conveyor chain
Zinc plated steel and plastic
Weight 620 g

Part.no 17036

**Pliers**

For splicing guide rail
Painted steel and plastic
Weight 700 g

Part.no 16890



WWW.CARRYLINE.COM